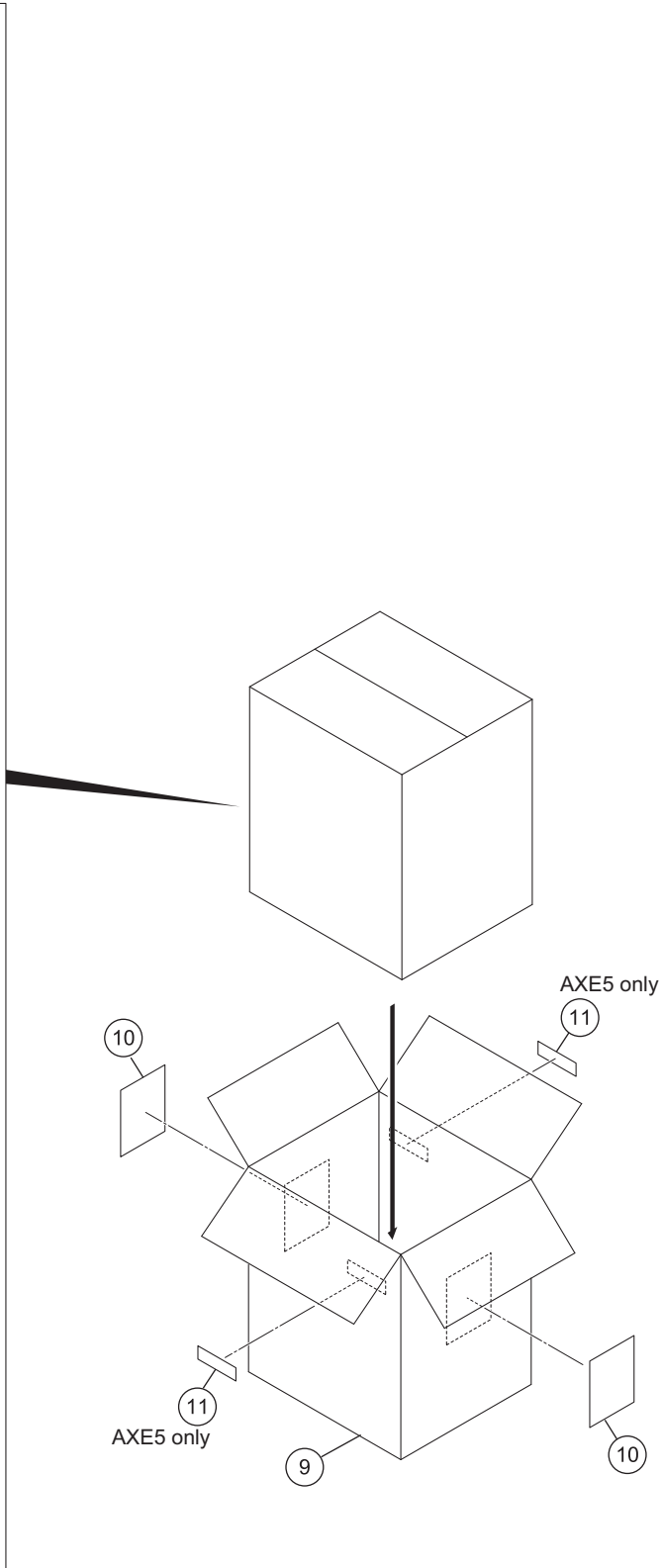
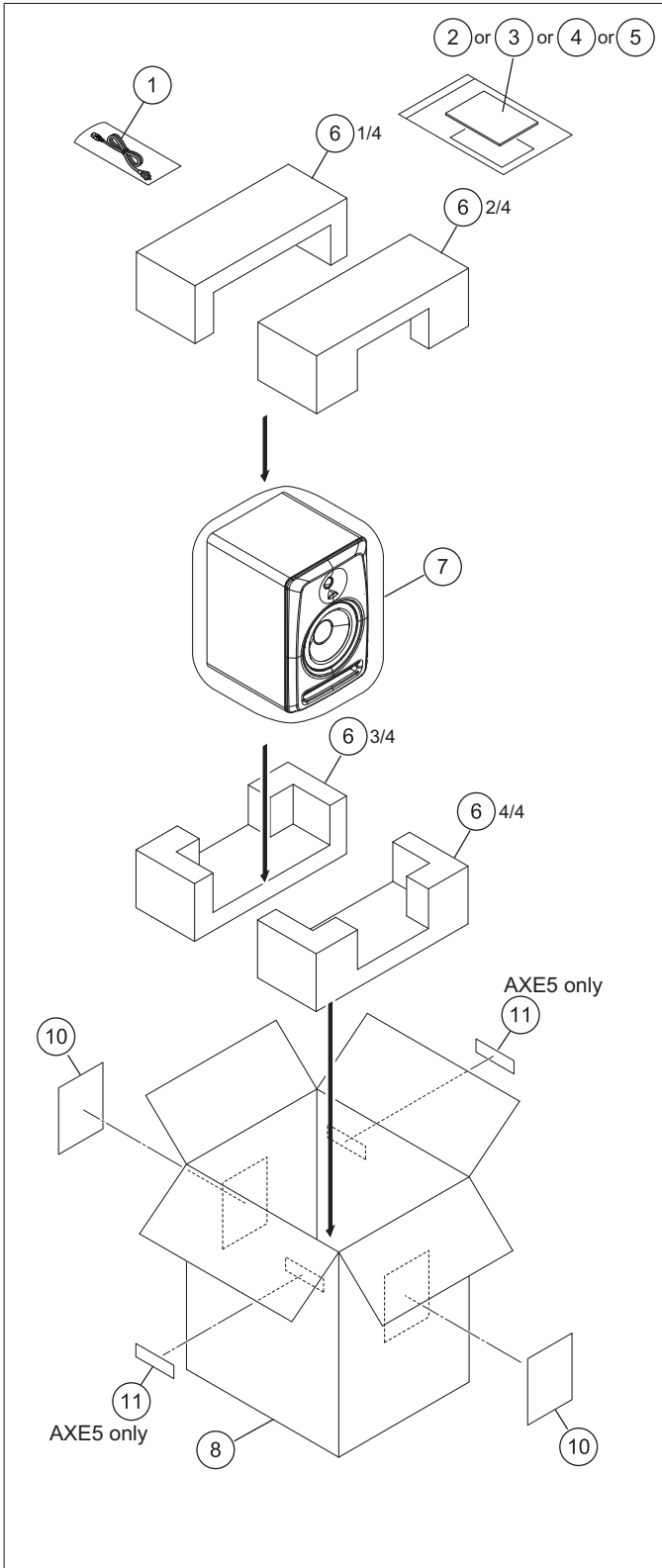


9. EXPLODED VIEWS AND PARTS LIST

- NOTES:
- Parts marked by "NSP" are generally unavailable because they are not in our Master Spare Parts List.
 - The \triangle mark found on some component parts indicates the importance of the safety factor of the part. Therefore, when replacing, be sure to use parts of identical designation.
 - For the applying amount of lubricants or glue, follow the instructions in this manual. (In the case of no amount instructions, apply as you think it appropriate.)

9.1 PACKING SECTION



(1) PACKING SECTION PARTS LIST

<u>Mark No.</u>	<u>Description</u>	<u>Part No.</u>	<u>Mark No.</u>	<u>Description</u>	<u>Part No.</u>
⚠	1 Power Cord	See Contrast table (2)	6 Pad	See Contrast table (2)	
	2 Operating Instructions	See Contrast table (2)	7 Plastic Bag	See Contrast table (2)	
	3 Operating Instructions	See Contrast table (2)	8 Gift Box	See Contrast table (2)	
	4 Operating Instructions	See Contrast table (2)	9 Outer Carton	See Contrast table (2)	
	5 Operating Instructions	See Contrast table (2)	10 Carton Label	See Contrast table (2)	
			11 Carton Mark Label	See Contrast table (2)	

(2) CONTRAST TABLE

S-DJ80X/SYXE8, CMXE, FWPWXE, AXE5, S-DJ60X/SYXE8, CMXE, FWPWXE, AXE5, S-DJ50X/SYXE8, CMXE, FWPWXE, AXE5, S-DJ50X-W/SYXE8, CMXE, FWPWXE and AXE5 are constructed the same except for the following:

<u>Mark</u>	<u>No.</u>	<u>Symbol and Description</u>	<u>S-DJ80X/SYXE8</u>	<u>S-DJ80X/CMXE</u>	<u>S-DJ80X/FWPWXE</u>	<u>S-DJ80X/AXE5</u>
⚠	1	Power Cord	170403000227	170403000228	170403000227	170403000245
	2	Operating Instructions (En, Fr, Es, De, It, Pt, NI, Ru)	PRE000006282	Not used	Not used	Not used
	3	Operating Instructions (En, Fr, Es)	Not used	PRE000006283	Not used	Not used
	4	Operating Instructions (En, Es, Ptbr, Ko, Zhtw, Ja)	Not used	Not used	PRE000006263	Not used
	5	Operating Instructions (Zhcn)	Not used	Not used	Not used	PRE000006284
	6	Pad	PF0000000934	PF0000000934	PF0000000934	PF0000000934
	7	Plastic Bag	PE6000000013	PE6000000013	PE6000000013	PE6000000013
	8	Gift Box	GB0000004250	GB0000004250	GB0000004250	GB0000004250
	9	Outer Carton	CT0000008573	CT0000008573	CT0000008573	CT0000008573
	10	Carton Label	LB0000011576	LB0000011537	LB0000011579	LB0000011585
	11	Carton Mark Label	Not used	Not used	Not used	LB0000011519

<u>Mark</u>	<u>No.</u>	<u>Symbol and Description</u>	<u>S-DJ60X/SYXE8</u>	<u>S-DJ60X/CMXE</u>	<u>S-DJ60X/FWPWXE</u>	<u>S-DJ60X/AXE5</u>
⚠	1	Power Cord	170403000227	170403000228	170403000227	170403000245
	2	Operating Instructions (En, Fr, Es, De, It, Pt, NI, Ru)	PRE000006282	Not used	Not used	Not used
	3	Operating Instructions (En, Fr, Es)	Not used	PRE000006283	Not used	Not used
	4	Operating Instructions (En, Es, Ptbr, Ko, Zhtw, Ja)	Not used	Not used	PRE000006263	Not used
	5	Operating Instructions (Zhcn)	Not used	Not used	Not used	PRE000006284
	6	Pad	PF0000000933	PF0000000933	PF0000000933	PF0000000933
	7	Plastic Bag	PE5500000007	PE5500000007	PE5500000007	PE5500000007
	8	Gift Box	GB0000004249	GB0000004249	GB0000004249	GB0000004249
	9	Outer Carton	CT0000008571	CT0000008571	CT0000008571	CT0000008571
	10	Carton Label	LB0000011564	LB0000011534	LB0000011567	LB0000011573
	11	Carton Mark Label	Not used	Not used	Not used	LB0000011519

<u>Mark</u>	<u>No.</u>	<u>Symbol and Description</u>	<u>S-DJ50X/SYXE8</u>	<u>S-DJ50X/CMXE</u>	<u>S-DJ50X/FWPWXE</u>	<u>S-DJ50X/AXE5</u>
⚠	1	Power Cord	170403000227	170403000228	170403000227	170403000245
	2	Operating Instructions (En, Fr, Es, De, It, Pt, NI, Ru)	PRE000006282	Not used	Not used	Not used
	3	Operating Instructions (En, Fr, Es)	Not used	PRE000006283	Not used	Not used
	4	Operating Instructions (En, Es, Ptbr, Ko, Zhtw, Ja)	Not used	Not used	PRE000006263	Not used
	5	Operating Instructions (Zhcn)	Not used	Not used	Not used	PRE000006284
	6	Pad	PF0000000932	PF0000000932	PF0000000932	PF0000000932
	7	Plastic Bag	PE5000000024	PE5000000024	PE5000000024	PE5000000024
	8	Gift Box	GB0000004248	GB0000004248	GB0000004248	GB0000004248
	9	Outer Carton	CT0000008570	CT0000008570	CT0000008570	CT0000008570
	10	Carton Label	LB0000011539	LB0000011527	LB0000011542	LB0000011548
	11	Carton Mark Label	Not used	Not used	Not used	LB0000011519

<u>Mark</u>	<u>No.</u>	<u>Symbol and Description</u>	<u>S-DJ50X-W/SYXE8</u>	<u>S-DJ50X-W/CMXE</u>	<u>S-DJ50X-W/FWPWXE</u>	<u>S-DJ50X-W/AXE5</u>
⚠	1	Power Cord	170403000227	170403000228	170403000227	170403000245
	2	Operating Instructions (En, Fr, Es, De, It, Pt, NI, Ru)	PRE000006282	Not used	Not used	Not used
	3	Operating Instructions (En, Fr, Es)	Not used	PRE000006283	Not used	Not used
	4	Operating Instructions (En, Es, Ptbr, Ko, Zhtw, Ja)	Not used	Not used	PRE000006263	Not used
	5	Operating Instructions (Zhcn)	Not used	Not used	Not used	PRE000006284
	6	Pad	PF0000000932	PF0000000932	PF0000000932	PF0000000932
	7	Plastic Bag	PE5000000024	PE5000000024	PE5000000024	PE5000000024
	8	Gift Box	GB0000004269	GB0000004269	GB0000004269	GB0000004269
	9	Outer Carton	CT0000008602	CT0000008602	CT0000008602	CT0000008602
	10	Carton Label	LB0000011551	LB0000011530	LB0000011554	LB0000011560
	11	Carton Mark Label	Not used	Not used	Not used	LB0000011519

1 2 3 4

9.2.3 S-DJ-50X, S-DJ50X-W

A

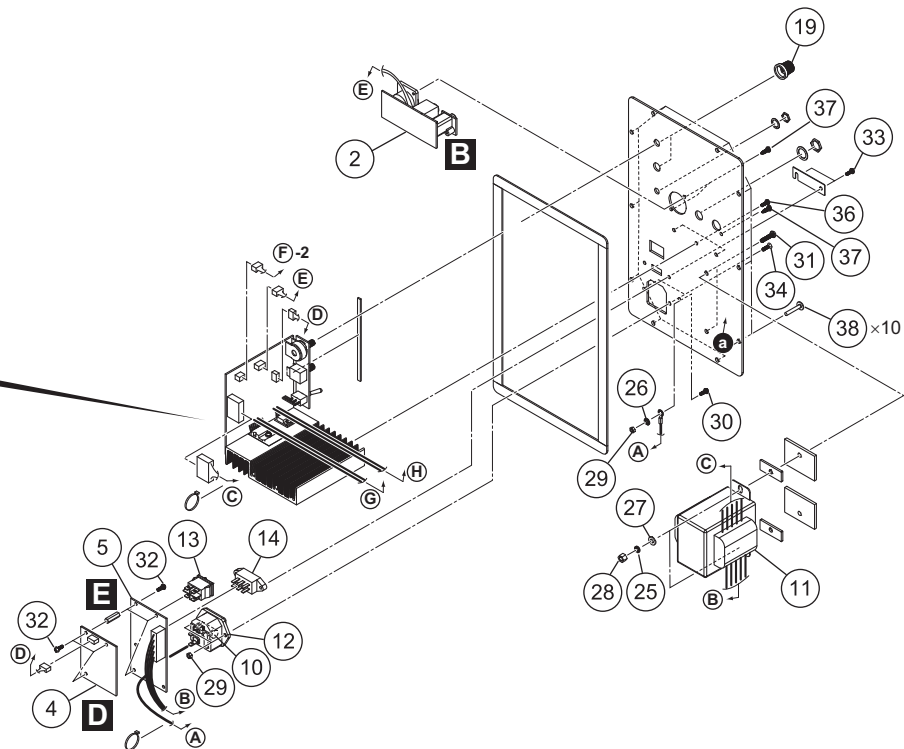
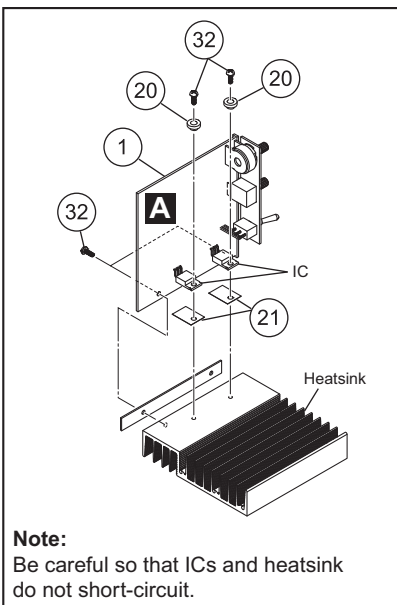
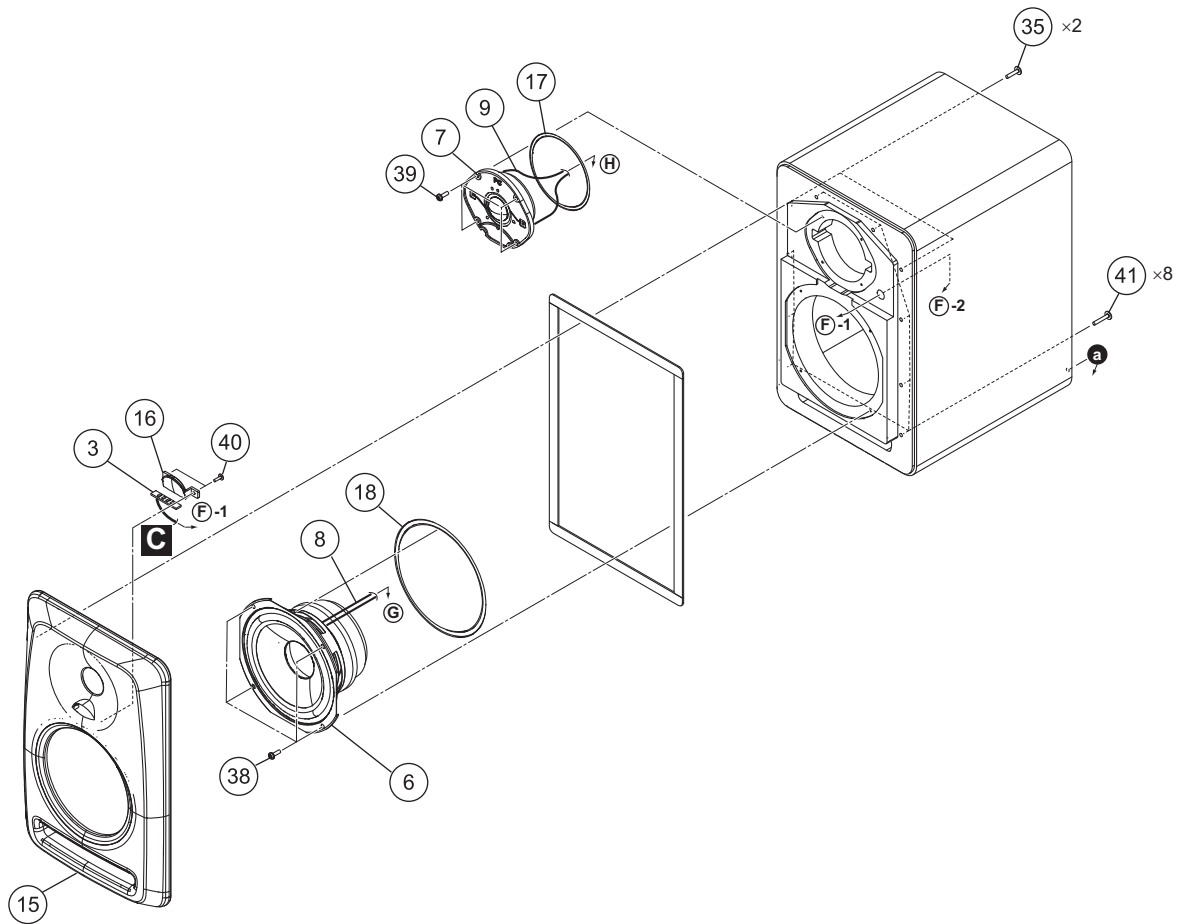
B

C

D

E

F



(1) S-DJ50X, S-DJ50X-W PARTS LIST

Mark No.	Description	Part No.	Mark No.	Description	Part No.
1	AMP PCB Assy	OSDJ50XB0001	21	Mica Sheet	JD0201000038
2	INPUT PCB Assy	OSDJ000B0001	22	•••••	
3	LED PCB Assy	OSDJ000B0003	23	•••••	
4	STBY PCB Assy	OSDJ000B0004	24	•••••	
5	AC IN PCB Assy	OSDJ000B0002	25	Spring Washer	JD0101000027
6	Woofer	YF0502500274	26	Washer	JD0101000069
7	Tweeter	YW25C06Y0015	27	Washer	JD0101000067
8	Speaker Cord	WR0200000183	28	Nut	LM0101000009
9	Speaker Cord	WR0250000115	29	Nut	LM0101000003
⚠ 10	Fuse	See Contrast table (2)	30	Screw	LS0101000040
⚠ 11	Transformer	200103000018	31	Screw	LS0101000078
⚠ 12	AC Inlet	120603000004	32	Screw	LS0101000088
⚠ 13	Power Switch	110303000019	33	Screw	LS0101000094
⚠ 14	Select Switch	110703000013	34	Screw	LS0101000189
15	Front Panel Assy	See Contrast table (2)	35	Screw	LS0190000472
16	Lens Assy	YPA010S00660	36	Screw	LS0201000066
17	Gasket	GK0001H00959	37	Screw	LS0201000080
18	Gasket	GK0001H00439	38	Screw	LS0290000024
19	Knob	AJ0211000094	39	Screw	LS0290000090
20	Insulation Spacer	JD0201000011	40	Screw	LS0290000282
			41	Screw	LS0290000288

(2) CONTRAST TABLE

S-DJ50X/SYXE8, CMXE, FWPWXE, AXE5, S-DJ50X-W/SYXE8, CMXE, FWPWXE and AXE5 are constructed the same except for the following:

Mark	No.	Symbol and Description	S-DJ50X /SYXE8	S-DJ50X /CMXE	S-DJ50X /FWPWXE	S-DJ50X /AXE5
⚠	10	Fuse (T500MAL 250V)	140103000031	Not used	140103000031	140103000031
⚠	10	Fuse (T1AL 250V)	Not used	140103000011	Not used	Not used
	15	Front Panel Assy	YPA010S00664	YPA010S00664	YPA010S00664	YPA010S00664

Mark	No.	Symbol and Description	S-DJ50X-W /SYXE8	S-DJ50X-W /CMXE	S-DJ50X-W /FWPWXE	S-DJ50X-W /AXE5
⚠	10	Fuse (T500MAL 250V)	140103000031	Not used	140103000031	140103000031
⚠	10	Fuse (T1AL 250V)	Not used	140103000011	Not used	Not used
	15	Front Panel Assy	YPA010S00661	YPA010S00661	YPA010S00661	YPA010S00661

12. PCB PARTS LIST

NOTES: ● Parts marked by "NSP" are generally unavailable because they are not in our Master Spare Parts List.

● The Δ mark found on some component parts indicates the importance of the safety factor of the part. Therefore, when replacing, be sure to use parts of identical designation.

● Although the cables that are directly mounted on each PCB Assy are listed individually as electrical parts of the corresponding PCB Assy in the parts list, those cables are included with each PCB Assy for service when it is supplied.

Mark No.	Description	Part No.
----------	-------------	----------

Mark No.	Description	Part No.
----------	-------------	----------

LIST OF ASSEMBLIES

B INPUT PCB ASSY

AMP PCB ASSY (S-DJ80X)	OSDJ80XB0001
AMP PCB ASSY (S-DJ60X)	OSDJ60XB0001
AMP PCB ASSY (S-DJ50X, S-DJ50X-W)	OSDJ50XB0001

There is no service parts.

INPUT PCB ASSY	OSDJ000B0001
LED PCB ASSY	OSDJ000B0003
STBY PCB ASSY	OSDJ000B0004
AC IN PCB ASSY	OSDJ000B0002

C LED PCB ASSY

There is no service parts.

D STBY PCB ASSY

There is no service parts.

Mark No.	Description	Part No.
----------	-------------	----------

E AC IN PCB ASSY

There is no service parts.

A AMP PCB ASSY (S-DJ80X)

MISCELLANEOUS

SW 2 ROTARY SWITCH	110203000004
SW 12 TOGGLE SWITCH	110503000016

RESISTORS

VR 1 POTENTIOMETER	010703000284
--------------------	--------------

CAPACITORS

C 102,103 CAPACITOR	020513000489
C 104,105 CAPACITOR	020513000486

A AMP PCB ASSY (S-DJ60X)

MISCELLANEOUS

SW 2 ROTARY SWITCH	110203000004
SW 12 TOGGLE SWITCH	110503000016

RESISTORS

VR 1 POTENTIOMETER	010703000284
--------------------	--------------

CAPACITORS

C 102,103 CAPACITOR	020513000488
C 104,105 CAPACITOR	020513000486

A AMP PCB ASSY (S-DJ50X, -W)

MISCELLANEOUS

SW 2 ROTARY SWITCH	110203000004
SW 12 TOGGLE SWITCH	110503000016

RESISTORS

VR 1 POTENTIOMETER	010703000284
--------------------	--------------

CAPACITORS

C 104,105 CAPACITOR	020513000486
C 102,103 CAPACITOR	020513000182