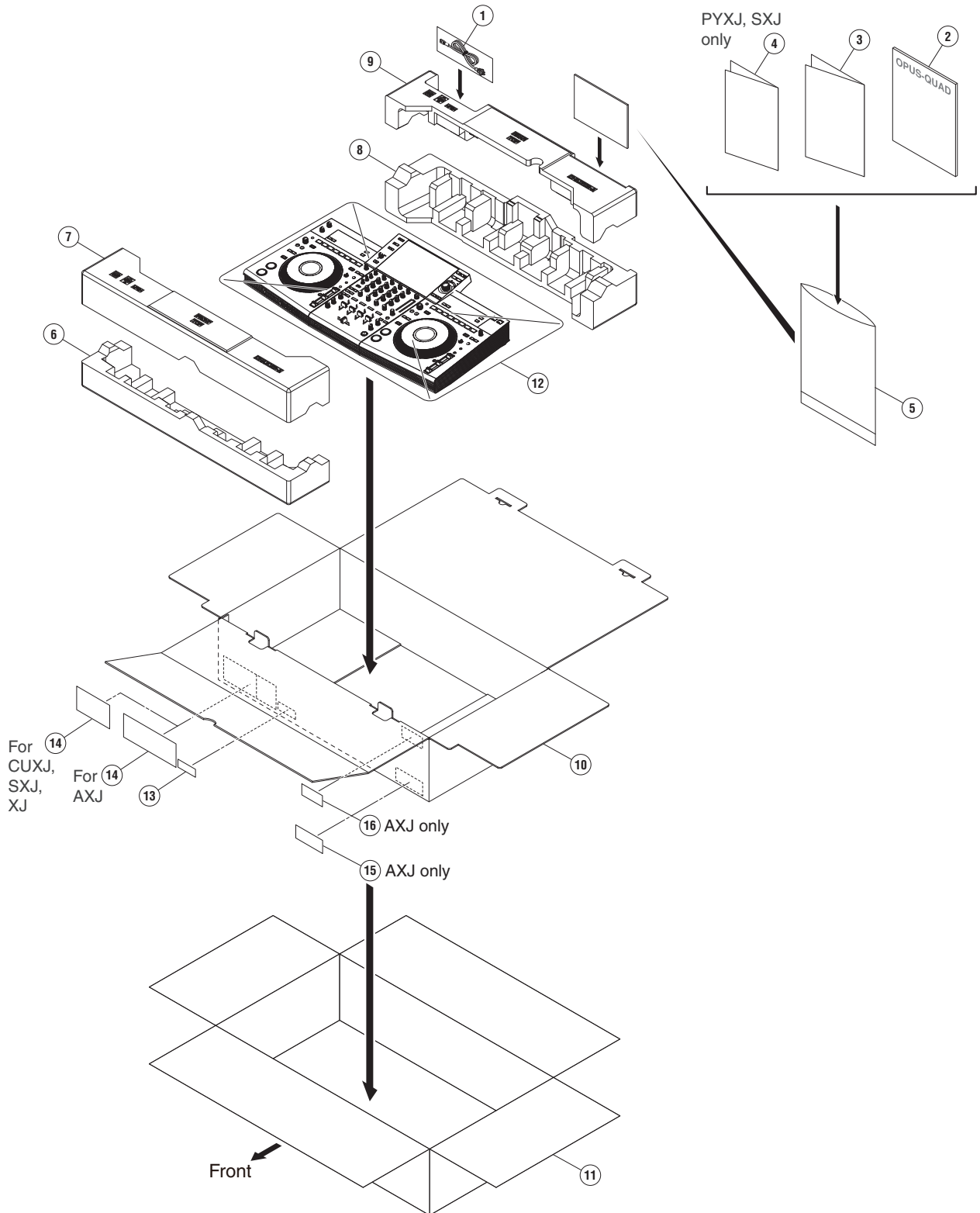


9. EXPLODED VIEWS AND PARTS LIST

- NOTES:
- Parts marked by "NSP" are generally unavailable because they are not in our Master Spare Parts List.
 - The \triangle mark found on some component parts indicates the importance of the safety factor of the part. Therefore, when replacing, be sure to use parts of identical designation.
 - Screws adjacent to ∇ mark on product are used for disassembly.
 - For the applying amount of lubricants or glue, follow the instructions in this manual. (In the case of no amount instructions, apply as you think it appropriate.)

9.1 PACKING SECTION



(1) PACKING SECTION PARTS LIST

<u>Mark No.</u>	<u>Description</u>	<u>Part No.</u>	<u>Mark No.</u>	<u>Description</u>	<u>Part No.</u>
A	1 Power cord	See Contrast table (2)	11	Master Carton	See Contrast table (2)
	2 Quick Start Guide	See Contrast table (2)	12	Mirror Mat	DHL1201
	3 Precautions for Use	See Contrast table (2)	NSP 13	Label	DRW3066
NSP	4 Warranty	See Contrast table (2)	14	Label	See Contrast table (2)
NSP	5 Polyethylene Bag	AHG7117	15	Label	See Contrast table (2)
	6 Packing Pad	DHA2025	16	Label	See Contrast table (2)
	7 Packing Pad	DHA2026			
	8 Packing Pad	DHA2027			
	9 Packing Pad	DHA2028			
	10 Packing Case	DHG3856			

B

(2) CONTRAST TABLE

OPUS-QUAD/PYXJ, CUXJ, SXJ, XJ and AXJ are constructed the same except for the following:

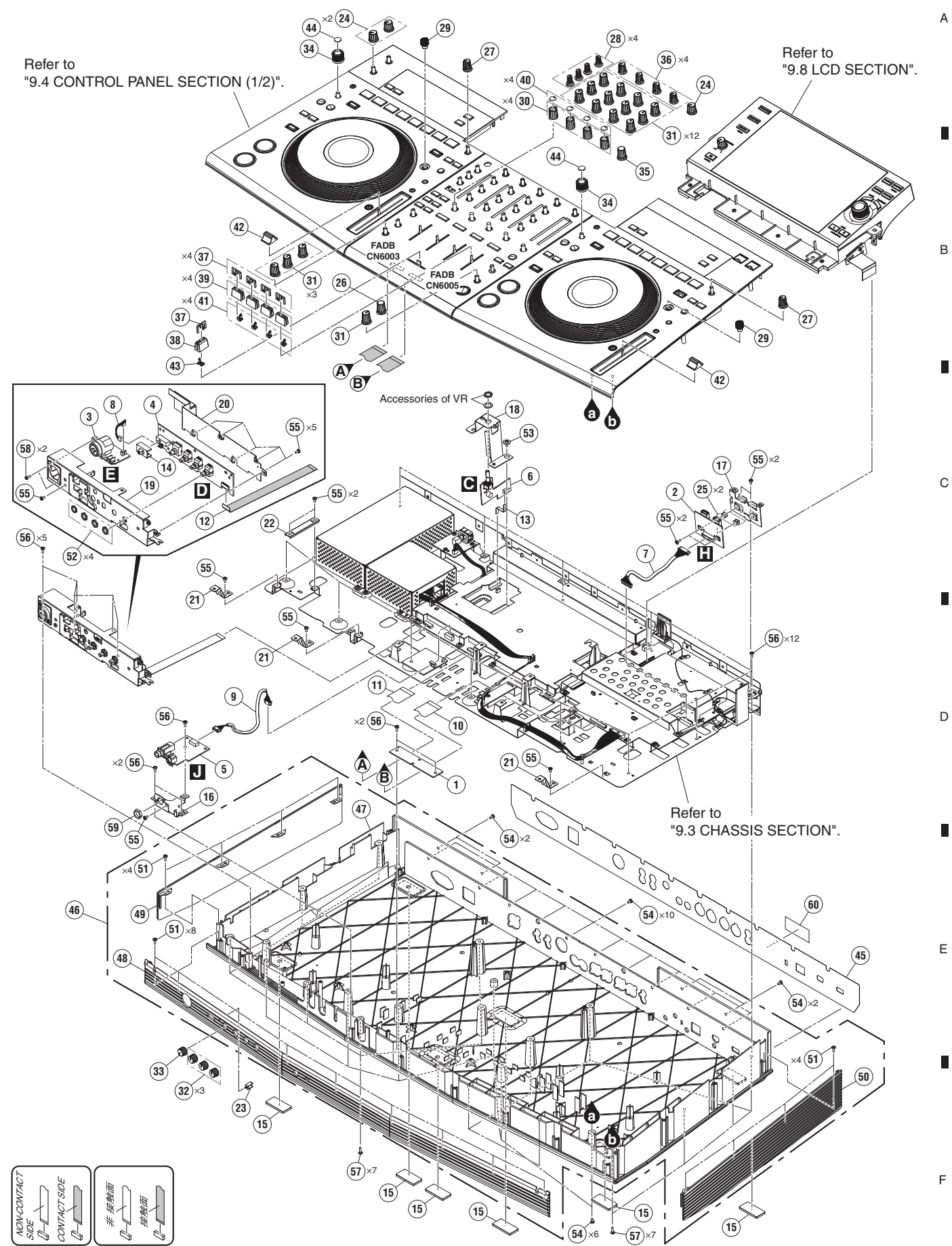
Mark	No.	Symbol and Description	OPUS-QUAD /PYXJ	OPUS-QUAD /CUXJ	OPUS-QUAD /SXJ	OPUS-QUAD /XJ	OPUS-QUAD /AXJ
C	1	Power cord	ADG1244	DDG1108	ADG1244	ADG1244	DDG1114
	2	Quick Start Guide	DRH1720	DRH1720	DRH1720	DRH1720	DRH1721
	3	Precautions for Use	DRH1722	DRH1722	DRH1722	DRH1722	DRH1724
	NSP 4	Warranty	DRY1274	Not used	DRY1274	Not used	Not used
	11	Master Carton	DHG3857	DHG3860	DHG3858	DHG3859	DHG3862
	14	Label	Not used	DRW3052	DRW3050	DRW3051	DRW3054
	15	Label	Not used	Not used	Not used	Not used	DRW3055
	16	Label	Not used	Not used	Not used	Not used	DRW3056

D

E

F

9.2 BOTTOM SECTION



(1) BOTTOM SECTION PARTS LIST

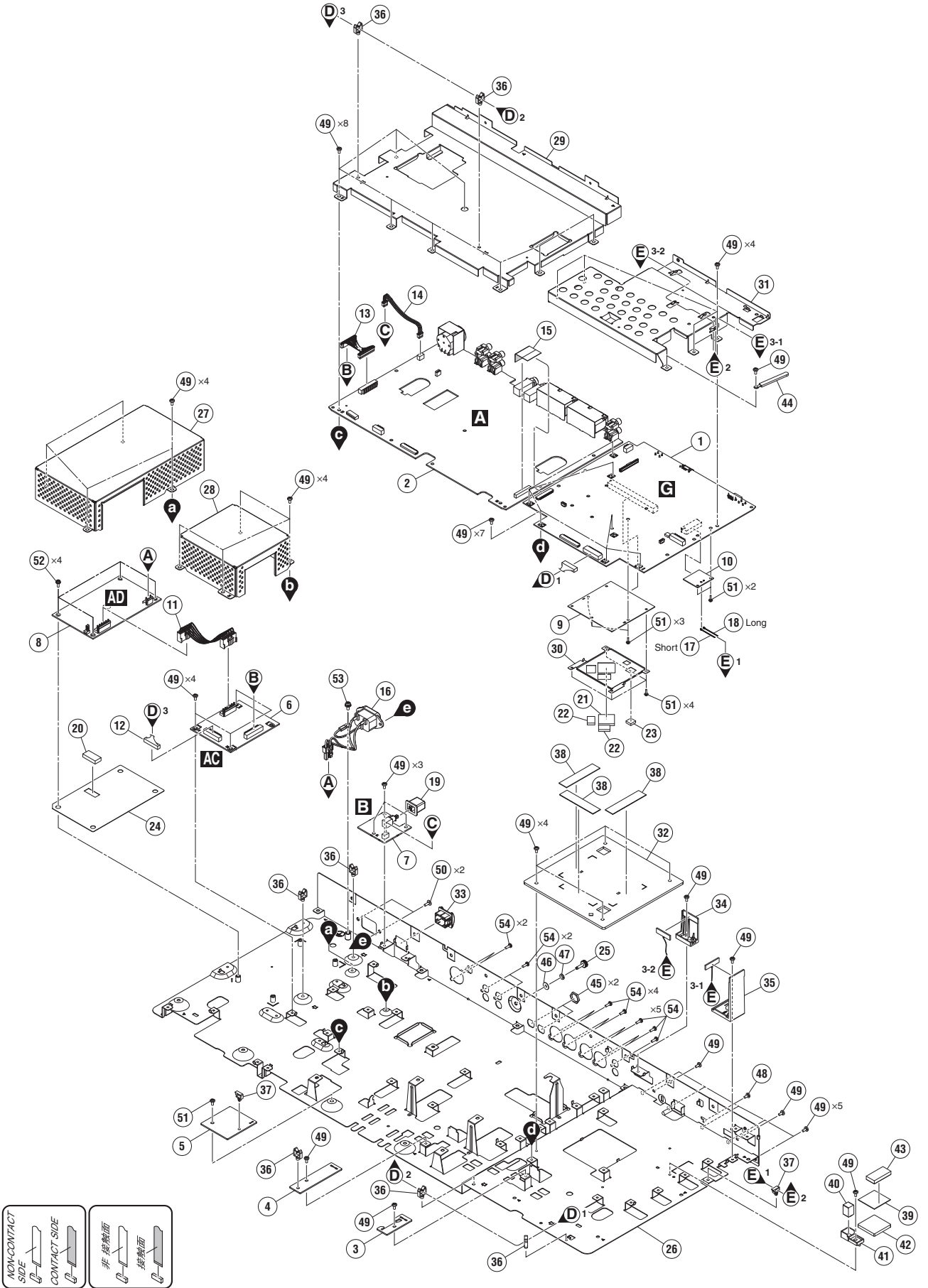
	<u>Mark No.</u>	<u>Description</u>	<u>Part No.</u>	<u>Mark No.</u>	<u>Description</u>	<u>Part No.</u>
A	1	PNST2 Assy	DWX4823	31	Knob	DAA1434
	2	USBA Assy	DWX4731	32	Knob	DAA1467
	3	FMIC Assy	DWX4742	33	Knob	DAA1468
	4	FRVR Assy	DWX4743	34	Knob	DAA1472
	5	HPJK Assy	DWX4744	35	Knob	DAA1474
	6	MTRM Assy	DWX4749	36	Knob	DAA1475
	7	Shielded Conn-Cable	DDA1108	37	Slider Knob 2	DAC2685
	8	Parallel Jumper	DDC1047	38	Knob	DAC3238
	9	Parallel Jumper	DDC1050	39	Knob	DAC3705
	10	FFC	DDD2103	40	Plate	DNG1171
B	11	FFC	DDD2106	41	Slider Knob Stopper	DNK5888
	12	FFC	DDD2107	42	Knob/SLD	DNK5981
	13	FFC	DDD2108	43	Stopper	DNK6440
	14	Cap/MIC	DAC2773	44	Plate	DAH3409
	15	Sheet/LEG	DEC3534	⚠ 45	Rear Panel	See Contrast table (2)
	16	Stay/HP	DNH3182	⚠ 46	1..Chassis Unit	DXB2228
	17	Stay	DNH3511	⚠ NSP 47	2..Chassis	DNK7072
	18	Stay	DNH3512	⚠ NSP 48	2..Panel	DNK7074
	19	Stay	DNH3513	⚠ NSP 49	2..Panel	DNK7075
C	20	Shield Case	DNH3530	⚠ NSP 50	2..Panel	DNK7076
	21	Bracket	DNH3533	51	2..Screw	BPZ30P080FNI
	22	Beam	DNH3534	52	Nut	NK90FTC
	23	Lens	DNK7079	53	DM Screw (FTC)	DBA1260
	24	Knob	DAA1435	54	Screw	BBZ30P060FTB
	25	Gasket	DEC4056	55	Screw	BBZ30P060FTC
	26	Rotary SW Knob (C)	DAA1180	56	Screw	BPZ30P080FNI
	27	Knob/LBK	DAA1284	57	Screw	BPZ30P100FTB
	28	Knob/RSW	DAA1307	58	Screw	PPZ30P080FTB
D	29	Knob	DAA1406	59	Nut M12	DBN1028
	30	Knob	DAA1419	NSP 60	Serial Label (UPC)	DRW2311

(2) CONTRAST TABLE

OPUS-QUAD/PYXJ, CUXJ, SXJ, XJ and AXJ are constructed the same except for the following:

Mark	No.	Symbol and Description	OPUS-QUAD /PYXJ	OPUS-QUAD /CUXJ	OPUS-QUAD /SXJ	OPUS-QUAD /XJ	OPUS-QUAD /AXJ
⚠	45	Rear Panel	DAH3397	DAH3397	DAH3397	DAH3397	DAH3398

9.3 CHASSIS SECTION

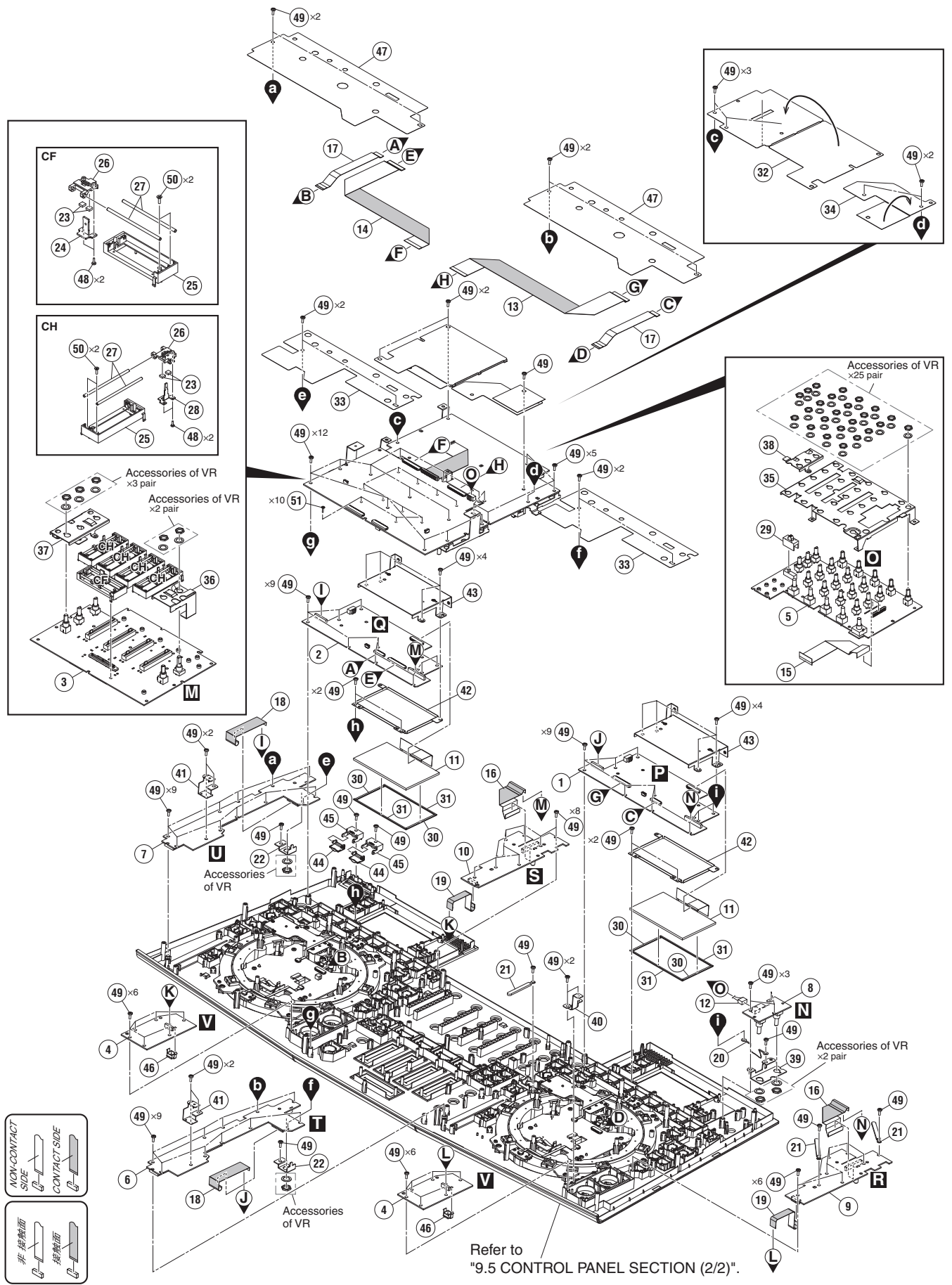


OPUS-QUAD

CHASSIS SECTION PARTS LIST

	<u>Mark No.</u>	<u>Description</u>	<u>Part No.</u>	<u>Mark No.</u>	<u>Description</u>	<u>Part No.</u>
A	1	MAIN Assy	DWX4725	46	Washer	WA32F100Q050
	2	AUDIO Assy	DWX4726	47	Spring Lock Washer	WS40FNI
	3	PNST1 Assy	DWX4820	48	Screw	DBA1458
	4	PNST3 Assy	DWX4822	49	Screw	BBZ30P060FTC
	5	HPST Assy	DWX4754	50	Screw	IBZ30P080FTB
	6	PWRB Assy	DWX4732	51	Screw	PMB20P080FNI
	7	PWSW Assy	DWX4748	52	Screw	PMH30P080FTB
	⚠	8 SW POWER SUPPLY	DWR1590	53	Screw	PMH40P080FTC
	9	SoM Module	DWX4722	54	Screw	PPZ30P080FTB
	10	Wi-Fi/BT Module	DWX4723			
B	11	Crimp Connector	DDC1039			
	12	Parallel Jumper	DDC1045			
	13	Parallel Jumper	DDC1046			
	14	Parallel Jumper	DDC1048			
	15	FFC	DDD2101			
	⚠	16 AC Inlet	DKP3996			
	17	Wi-Fi Antenna (SHORT)	DSD1002			
	18	Wi-Fi Antenna (LONG)	DSD1003			
	19	Power Knob	DAC2306			
	20	Heat Cond Sheet	DEB2091			
C	21	Heat Cond Sheet	DEB2092			
	22	Heat Cond Sheet	DEB2093			
	23	Heat Cond Sheet	DEB2094			
	⚠	24 Barrier	DEC4052			
	25	Earth Terminal	DKE1015			
	⚠	26 Stay	DNH3510			
	⚠	27 Shield Case	DNH3523			
	⚠	28 Shield Case	DNH3524			
	29	Shield Case	DNH3525			
	30	Shield Case	DNH3526			
D	31	Shield Case	DNH3529			
	32	Heat Sink	DNH3535			
	33	Power Knob Guard	DNK4534			
	34	Holder	DNK7080			
	35	Holder	DNK7098			
	36	Holder	VEC1355			
	37	Locking Mini Clamp	DEC2439			
	38	EMI Absorb Sheet	DEC4091			
	39	EMI Absorb Sheet	DEC4093			
	40	Gasket	DEC4094			
E	41	Support	DNK7143			
	42	Plate	DEC4092			
	43	Cushion	DEC4096			
	44	Cord Clamper	DEX1025			
	45	Nut (M12)	NKX2FNI			
F						

9.4 CONTROL PANEL SECTION (1/2)

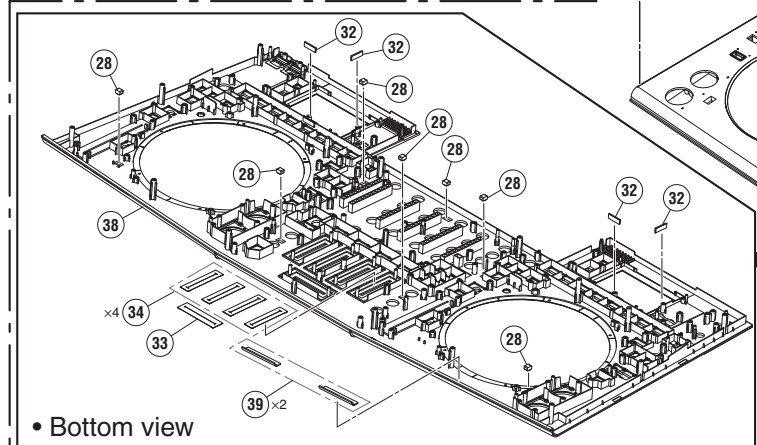
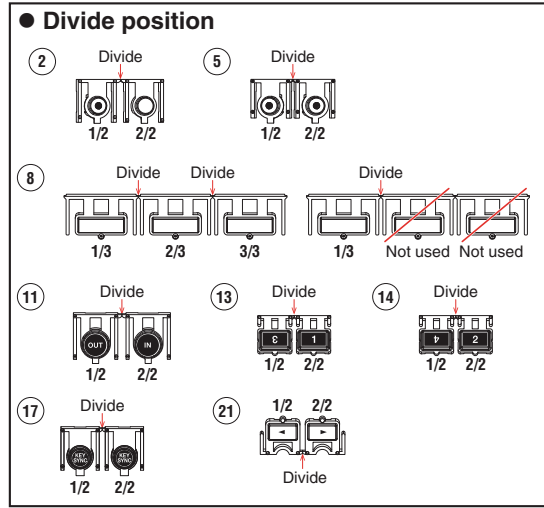
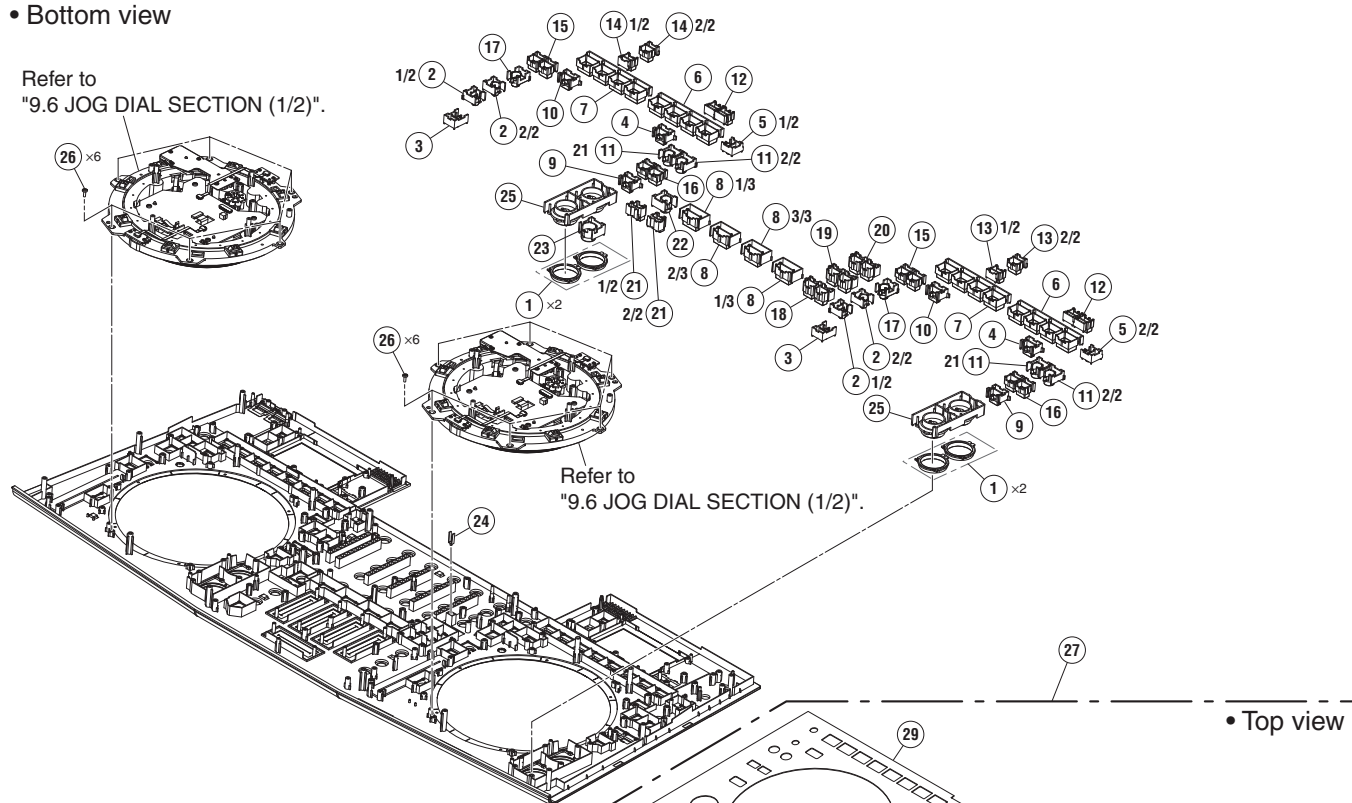


CONTROL PANEL SECTION (1/2) PARTS LIST

	<u>Mark No.</u>	<u>Description</u>	<u>Part No.</u>	<u>Mark No.</u>	<u>Description</u>	<u>Part No.</u>
A	1	SLCD1 Assy	DWX4728	46	Lens	DNK7126
	2	SLCD2 Assy	DWX4729	47	Sheet	DEC4097
	3	FADB Assy	DWX4730	48	Screw	BPZ20P060FTC
	4	PLAY Assy	DWX4739	49	Screw	BPZ30P080FNI
	5	MXRB Assy	DWX4741	50	Screw	CPZ26P080FTC
	6	DCKL1 Assy	DWX4745	51	Screw	IPZ20P080FTC
	7	DCKL2 Assy	DWX4746			
	8	ZBVR Assy	DWX4747			
	9	DCKR1 Assy	DWX4752			
	10	DCKR2 Assy	DWX4753			
B	11	TFT LCD	DWX4903			
	12	Parallel Jumper	DDC1049			
	13	FFC	DDD2109			
	14	FFC	DDD2110			
	15	FFC	DDD2111			
	16	FFC	DDD2112			
	17	FFC	DDD2113			
	18	FFC	DDD2114			
	19	FFC	DDD2115			
	20	Cord With Plug	DE007VE0			
C	21	Cord Clamper	DEX1025			
	22	VR Stay S	DNH2964			
	23	Cushion	DEC3640			
	24	Lever	DNH3505			
	25	Holder	DNK7070			
	26	Slider	DNK7071			
	27	Guide Shaft VK1	DLA1978			
	28	Lever	DNH3504			
	29	Cap	DAC3136			
	30	Packing	DEC3915			
D	31	Packing	DEC3916			
	32	Sheet	DEC4068			
	33	Sheet	DEC4069			
	34	Sheet	DEC4077			
	35	Stay	DNH3515			
	36	Stay	DNH3516			
	37	Stay	DNH3517			
	38	Stay	DNH3518			
	39	Stay	DNH3519			
	40	Stay	DNH3520			
E	41	Stay	DNH3521			
	42	Stay	DNH3522			
	43	Shield Case	DNH3528			
	44	Door	DNK6497			
	45	Holder	DNK6710			
F						

9.5 CONTROL PANEL SECTION (2/2)

• Bottom view



CONTROL PANEL SECTION (2/2) PARTS LIST

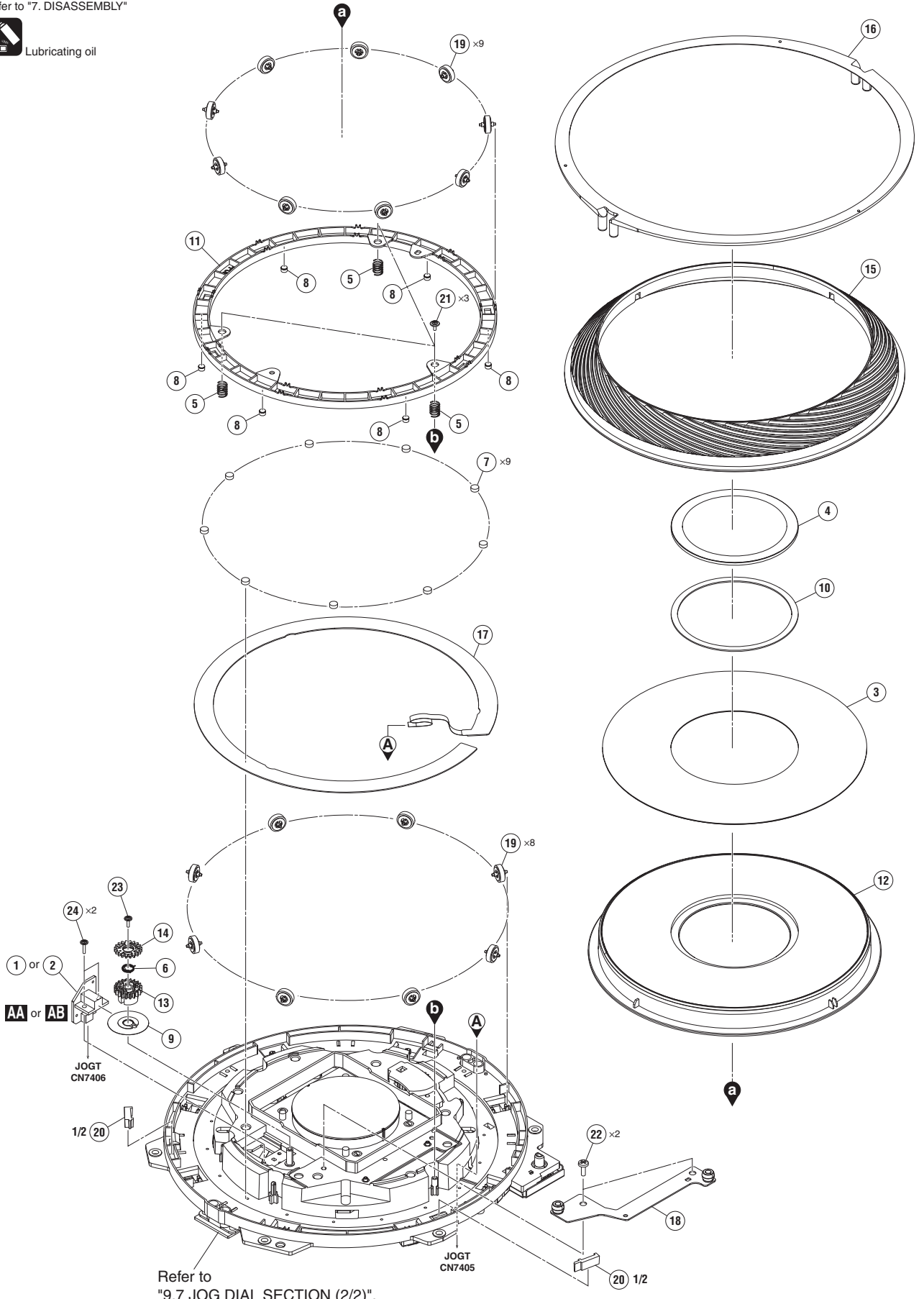
<u>Mark No.</u>	<u>Description</u>	<u>Part No.</u>
A	1 Ring Lens (PLAY)	DNK5315
	2 Button/MT	DAC3029
	3 Button/REL	DAC3030
	4 Button	DAC3288
	5 Button	DAC3646
	6 Button	DAC3647
	7 Button	DAC3648
	8 Button	DAC3650
	9 Button	DAC3656
	10 Button	DAC3657
B	11 Button	DAC3658
	12 Button	DAC3659
	13 Button	DAC3660
	14 Button	DAC3661
	15 Button	DAC3662
	16 Button	DAC3663
	17 Button	DAC3664
	18 Button	DAC3665
	19 Button	DAC3666
C	20 Button	DAC3667
	21 Button	DAC3668
	22 Button	DAC3669
	23 Button	DAC3670
	24 Lens	DNK7078
	25 Button Unit	DXB2223
	26 Screw	BPZ30P080FNI
	⚠ 27 1..OPUS-QUAD Panel Service Assy	DEA1154
D	28 2..Gasket	DEC4056
NSP	29 2..Plate	DAH3390
NSP	30 2..Plate	DAH3391
NSP	31 2..Plate	DAH3392
	32 2..Packing/LCD	DEC3565
	33 2..Packing	DEC3642
	34 2..Sheet	DEC3795
NSP	35 2..DS Tape	DEH1132
NSP	36 2..DS Tape	DEH1133
E	NSP 37 2..DS Tape	DEH1134
	⚠ NSP 38 2..Control Panel	DNK7073
	39 2..Packing	DEC4098
	40 2..Plate	DAH3410
	⚠ NSP 41 2..Plate	DAH3393
	⚠ NSP 42 2..Plate	DAH3394
	43 2..Plate	DAH3399

F

Refer to "7. DISASSEMBLY"



Lubricating oil



Refer to "9.7 JOG DIAL SECTION (2/2)".

JOG DIAL SECTION (1/2) PARTS LIST

<u>Mark No.</u>	<u>Description</u>	<u>Part No.</u>
A	1 JOGR1 Assy	DWX4750
	2 JOGR2 Assy	DWX4751
	3 Plate	DAH3395
	4 Window	DAH3396
	5 SW Spring	DBH1681
	6 Encoder Spring	DBH1710
	7 SW Cushion HH48/2	DEC2538
	8 Cushion/RNG	DEC3466
	9 Plate	DEC3700
	10 Spacer	DEC4054
B	11 SW Ring	DNK5233
	12 Jog Dial A	DNK5357
	13 Gear/A	DNK6143
	14 Gear/B	DNK6144
	15 Jog Dial	DNK7090
	16 Lens	DNK7092
	17 Sheet SW	DSX1078
	18 Stay Assy/Jog	DXB2133
	19 Roller	DXB2178
C	20 Spacer	DNK7142
	21 Screw (FE)	DBA1265
	22 Screw	BPZ30P080FNI
	23 Screw	IPZ20P060FTC
	24 Screw	IPZ20P080FTC

D

E

F

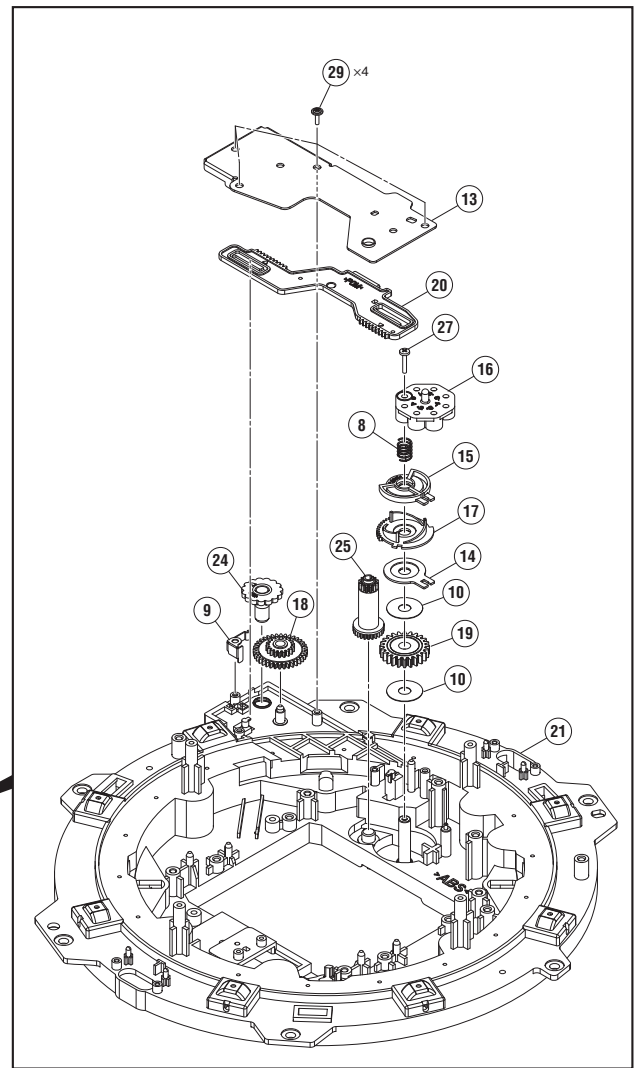
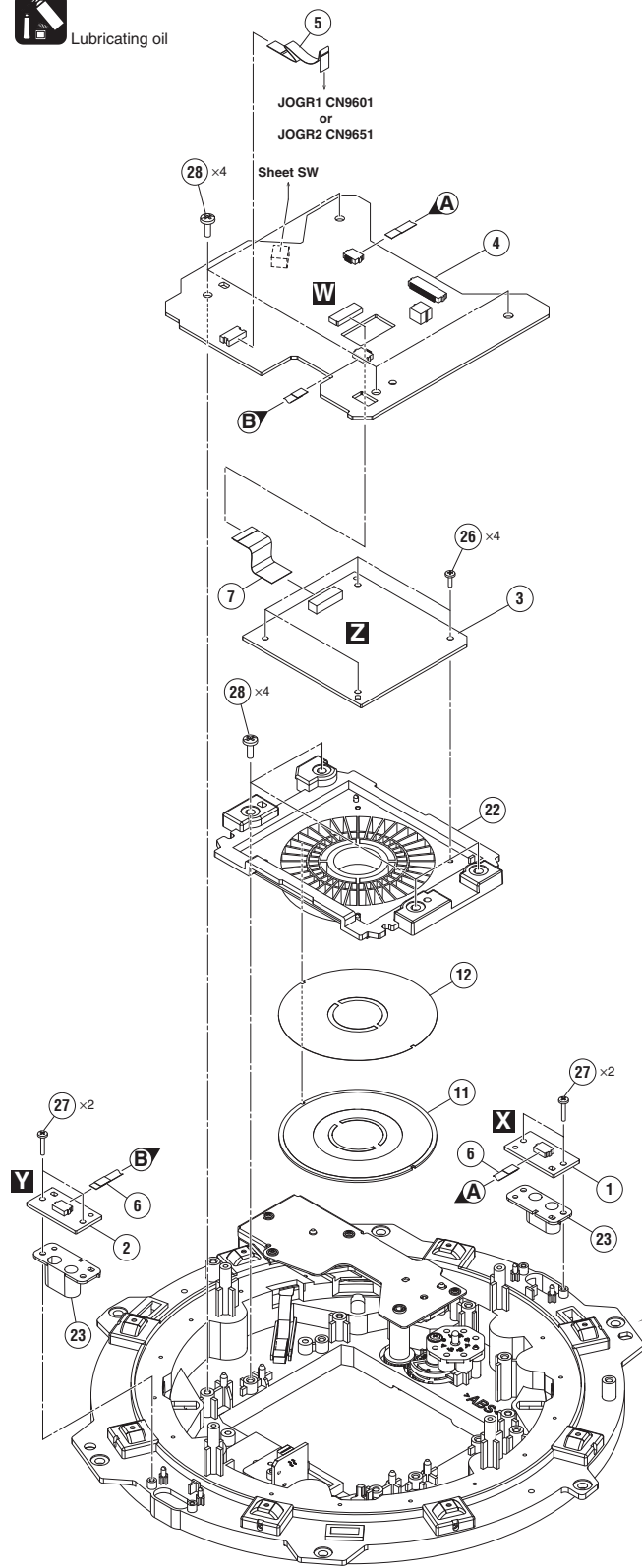
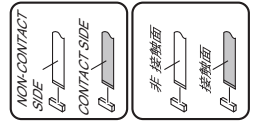
9.7 JOG DIAL SECTION (2/2)

• Bottom view

Refer to "7. DISASSEMBLY"



Lubricating oil



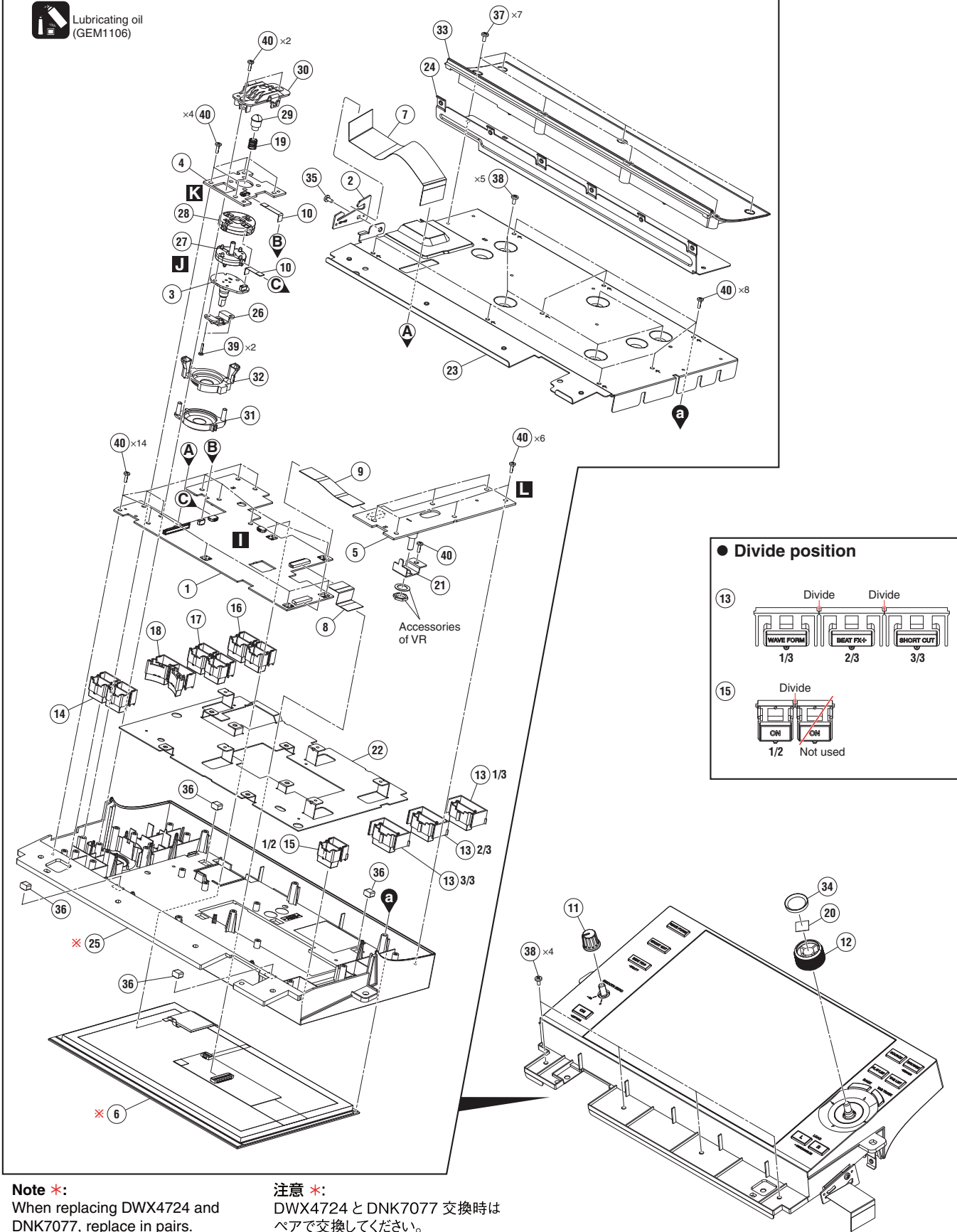
JOG DIAL SECTION (2/2) PARTS LIST

<u>Mark No.</u>	<u>Description</u>	<u>Part No.</u>
A	1 JLEDA Assy	DWX4735
	2 JLEDB Assy	DWX4736
	3 JLEDC Assy	DWX4737
	4 JOGT Assy	DWX4738
	5 FFC	DDD1843
	6 FFC	DDD2116
	7 FFC	DDD2117
	8 Coil Spring/LD	DBH1798
	9 Leaf Spring/ADJ	DBK1376
	10 Washer	DEC3137
B	11 Sheet	DEC4053
	12 Light-D Sheet	DEC4057
	13 Plate	DNH3345
	14 Smoother	DNK5237
	15 Comp Plate	DNK5243
	16 Adjust Plate	DNK5300
	17 Cam Plate	DNK5301
	18 Link Gear B	DNK5304
	19 Gear/LD	DNK6145
C	20 Plate	DNK6748
	21 Holder	DNK7089
	22 Holder	DNK7091
	23 Reflector	DNK7093
	24 Gear	DNK7094
	25 Gear	DNK7095
	26 Screw	BPZ20P060FTC
	27 Screw	BPZ20P100FTC
	28 Screw	BPZ30P080FNI
D	29 Screw	IPZ20P060FTC

9.8 LCD SECTION

• Bottom view

Refer to "7. DISASSEMBLY"



Note *:
When replacing DWX4724 and DNK7077, replace in pairs.

注意 *:
DWX4724 と DNK7077 交換時は
ペアで交換してください。

LCD SECTION PARTS LIST

	<u>Mark No.</u>	<u>Description</u>	<u>Part No.</u>
A	1	MLCDR Assy	DWX4727
	2	MLST Assy	DWX4819
	3	JSTE Assy	DWX4733
	4	JSTS Assy	DWX4733
	5	MLCDL Assy	DWX4740
	6	LCD Module	DWX4724
	7	FFC	DDD2102
	8	FFC	DDD2104
	9	FFC	DDD2105
	10	FFC	DDD2118
B	11	Knob	DAA1435
	12	Knob	DAA1473
	13	Button	DAC3649
	14	Button	DAC3651
	15	Button	DAC3652
	16	Button	DAC3653
	17	Button	DAC3654
	18	Button	DAC3655
	19	Coil Spring	DBH1846
	20	DS Tape	DEH1135
C	21	VR Stay S	DNH2964
	22	Stay	DNH3514
	23	Shield Case	DNH3527
	24	Angle	DNH3532
	25	Panel	DNK7077
	26	Holder	DNK7081
	27	Base	DNK7139
	28	Base	DNK7140
	29	Stopper	DNK7141
	30	Cover	DNK7085
D	31	Lens	DNK7086
	32	Reflector	DNK7087
	33	Cover	DNK7088
	34	Cap	DNK7097
	35	Rivet (Plastic)	RBM-003
	36	Gasket	DEC4056
	37	Screw	BBZ30P060FTB
	38	Screw	BBZ30P060FTC
	39	Screw	BPZ20P100FTC
	40	Screw	BPZ26P080FTC
E			
F			

12. PCB PARTS LIST

NOTES: ● Parts marked by "NSP" are generally unavailable because they are not in our Master Spare Parts List.

● The Δ mark found on some component parts indicates the importance of the safety factor of the part. Therefore, when replacing, be sure to use parts of identical designation.

● When ordering resistors, first convert resistance values into code form as shown in the following examples.

Ex.1 When there are 2 effective digits (any digit apart from 0), such as 560 ohm and 47 k ohm (tolerance is shown by J = 5%, and K = 10%).

560 Ω - 56 $\times 10^1$ - 561 RD1/APU $\boxed{5}$ $\boxed{6}$ \boxed{J} J

47 k Ω - 47 $\times 10^3$ - 473 RD1/APU $\boxed{4}$ $\boxed{7}$ $\boxed{3}$ J

0.5 Ω - R50 RN2H \boxed{R} $\boxed{5}$ $\boxed{0}$ K

1 Ω - 1R0 RS1P $\boxed{1}$ \boxed{R} $\boxed{0}$ K

Ex.2 When there are 3 effective digits (such as in high precision metal film resistors).

5.62 k Ω - 562 $\times 10^1$ - 5621 RN1/4PC $\boxed{5}$ $\boxed{6}$ $\boxed{2}$ $\boxed{1}$ F

Mark	No.	Description	Part No.	Mark	No.	Description	Part No.
LIST OF ASSEMBLIES				A AUDIO ASSY			
				SEMICONDUCTORS			
		1..MAIN ASSY	DWX4725	Δ	IC	3201	NJM78M09DL1A
		1..AUDIO ASSY	DWX4726	Δ	IC	3202,3206,3209	NJM2872BF33
NSP	1..	LCDB ASSY	DWM2835	Δ	IC	3203	NJM7805DL1A
	2..	MLCDR ASSY	DWX4727	Δ	IC	3204,3205	BD9851EFV
	2..	SLCD1 ASSY	DWX4728	Δ	IC	3208	NJM78M15DL1A
	2..	SLCD2 ASSY	DWX4729				
NSP	1..	UCOM ASSY	DWM2836	Δ	IC	3210	LM337KVUG3
	2..	FADB ASSY	DWX4730	Δ	IC	3211	BD9E302EFJ@V
	2..	USBA ASSY	DWX4731	Δ	IC	3212-3214	MM3542BF
	2..	JSTE ASSY	DWX4733	Δ	IC	3215	NJM2392M
	2..	JSTS ASSY	DWX4734	Δ	IC	3216	BD2232G-G
NSP	1..	DECK ASSY	DWM2837		IC	3501	ES9016K2M@V
	2..	JLEDA ASSY	DWX4735		IC	3502	NJM8080RB1S1
	2..	JLEDB ASSY	DWX4736		IC	3601-3615	TC7SH08FUS2
	2..	JLEDC ASSY	DWX4737		IC	3801,3802,3805,4002	NJM4580MD
	2..	JOGT ASSY	DWX4738		IC	3803,3804,4004,4005	NJM4580DD
	2..	PLAY ASSY	DWX4739		IC	4001	PCM1789PWR@V
NSP	1..	MIXER ASSY	DWM2838		IC	4003,4202-4204,4802	NJM4580MD
	2..	PWRB ASSY	DWX4732		IC	4201,4401	PCM1753DBQ
	2..	MLCDL ASSY	DWX4740		IC	4402	NJM4565MD
	2..	MXRB ASSY	DWX4741		IC	4601,4602	NJM4585M
	2..	FMIC ASSY	DWX4742		IC	4605,4606,4801	PCM1803ADB
NSP	1..	SUBB ASSY	DWM2839	Δ	Q	3002,3210,3211,3214	LTC024EEB
	2..	FRVR ASSY	DWX4743	Δ	Q	3003,4605,4606	LTA024EEB
	2..	HPJK ASSY	DWX4744	Δ	Q	3201,3203	RSQ030P03
	2..	DCKL1 ASSY	DWX4745	Δ	Q	3202	RSR020P05
	2..	DCKL2 ASSY	DWX4746	Δ	Q	3204	RSQ045N03
	2..	ZBVR ASSY	DWX4747	Δ	Q	3205,3206	LTC014EEB
	2..	PWSW ASSY	DWX4748	Δ	Q	3207,3208	RTQ040P02
	2..	MTRM ASSY	DWX4749		Q	3209	2SA1577
	2..	JOGR1 ASSY	DWX4750		Q	3212	RTQ040P02
	2..	JOGR2 ASSY	DWX4751		Q	3213,3401-3403,3407	LSAR523UB
	2..	DCKR1 ASSY	DWX4752		Q	3405,3406,3505	2SC4154-11
	2..	DCKR2 ASSY	DWX4753		Q	3408	LTC014YEB
	2..	DCKR1 ASSY	DWX4752		Q	3409-3411,3503,4405	LSCR523UB
	2..	DCKR2 ASSY	DWX4753		Q	3501	RT3T22M
Δ	1..	SW POWER SUPPLY	DWR1590		Q	3502,4806	RT3N22M
					Q	3504	HN1A01FUS1
					Q	3506	LTC124EUB
					Q	3507	LSC4081UB
					Q	3508	LSA1576UB
					Q	3801	RN2903
					Q	3802-3815,4001-4004	INC2002AC1
					Q	4201-4204,4403,4404	INC2002AC1

Mark	No.	Description	Part No.	Mark	No.	Description	Part No.
	Q	4401,4402,4801,4802	2SK209	R	3226,3907,3908,4090		RC0603JR-0733RL@V
	Q	4406,4408	LSAR523UB				
A	Q	4407	LSCR523UB	R	3234		RC0402JR-075K1L@V
	Q	4409,4411	2SCR573D3	R	3235		RC0402DR-076K2L@V
	Q	4410,4412	2SAR573D3	R	3238,3239,3410,3439		RC0402DR-0710KL@V
	Q	4601-4604	INC2002AC1	R	3240		RC0402DR-07150KL@V
	D	3202,3203,3207,3210	RB162MM-40TF	R	3241		RC0402DR-075K1L@V
	D	3206	RB551VM-30	R	3242,3283,3289		RC0402DR-0762KL@V
	D	3211,3212,3221,3401	1SS355L@V	R	3243,3433,4431-4434		RC0402DR-071KL@V
	D	3213,3215,3216,3218	RB501VM-40	R	3244,3270		RC0402DR-0720KL@V
	D	3219	RB160L-40	R	3245		RC0402DR-073KL@V
	D	3220,3501	UDZV7R5	R	3246,3249,3250,3300		RC0402JR-0710KL@V
B	D	3402,3404,3408,3410	DAN202UM	R	3251,3252,3259		RC0402JR-07100KL@V
	D	3403,3405,3407,3504	1SS355L@V	R	3254,3255,3805-3808		RC0603DR-07620RL@V
	D	3502	RB160M-30	R	3256		RC0603DR-0775RL@V
	D	4401-4404	1SS355L@V	R	3257,3837-3840		RC0603DR-07120RL@V
	D	4601-4604	RB548W	R	3267,3268		RC1206JR-071RL@V
	D	4605-4608	DF2B18FU	R	3269		RC0402JR-071K2L@V
				R	3271-3273		RC0402JR-071KL@V
				R	3277-3279,3881-3884		RC0402JR-07100KL@V
				R	3280		RC0402DR-0775KL@V
				R	3281		RC0402DR-0724KL@V
				R	3282		RC0402DR-0747KL@V
				R	3284,3438		RC0402DR-0730KL@V
				R	3285,4243,4245,4637		RC0603DR-0722KL@V
				R	3286,3845-3852,4819		RC0603DR-072K7L@V
				R	3287		RC0603DR-071KL@V
				R	3288		RC0603DR-07470RL@V
				R	3290,3421,3427-3429		RC0402JR-070RL@V
				R	3291		RC0402DR-0711KL@V
				R	3292		RC0402DR-0722KL@V
				R	3293		RC0402DR-07560RL@V
				R	3294,3297,3401,3407		RC0402DR-072K2L@V
				R	3295		RC0402DR-076K8L@V
				R	3296		RC0402DR-0775RL@V
				R	3298,3322,3326		RC0805JR-070RL@V
				R	3299,3879,3880		RC0603JR-07100KL@V
D	CN	3002 15P CONNECTOR	VKN1275	R	3301		RC0603JR-0710KL@V
	CN	3003 CONNECTOR	HWW-SL0620-J1@V	R	3303		RC0402JR-073K3L@V
	CN	3004 CONNECTOR	HWW-L0320-J1@V	R	3304		RC0402JR-0733KL@V
	CN	3005 FFC/FPC CONNECTOR	CKS6645	R	3305,3316		RC0402JR-074K7L@V
	CN	3006 FFC/FPC CONNECTOR	DKP3953	R	3310-3315		RC1206JR-073R3L@V
	CN	4801 4P CONNECTOR	VKN1819	R	3317-3320,4698-4701		RC1206JR-070RL@V
		9001,9002 CANON SHIELD	DNF1789	R	3402,3406,3409		RC0402DR-078K2L@V
	VA	3801-3809,4001-4006 VARISTORS	EZJZ1V270RM	R	3404		RC0402DR-072K7L@V
	VA	4201-4205,4601,4602 VARISTORS	EZJZ1V270RM	R	3405,3440		RC0402DR-07100RL@V
	VA	4801-4803 VARISTORS	EZJZ1V270RM	R	3419		RC0402DR-0733KL@V
E	R	3002,3422,3537-3540	RC0402JR-0722KL@V	R	3420,3431		RC0402DR-072K4L@V
	R	3005-3007,3009-3015	RC0402JR-070RL@V	R	3423		RC0402DR-072KL@V
	R	3018,3253,3264-3266	RC0402JR-070RL@V	R	3424		RC0402DR-074K3L@V
	R	3201,3203,3219	RC0402DR-0715KL@V	R	3425,3432,4413,4414		RC0402DR-074K7L@V
	R	3202,3204,3214,3218	RC0402DR-0710KL@V	R	3426,3547,4013,4638		RC0402JR-0710KL@V
	R	3205,3207,3229,3230	RC0402DR-0730KL@V	R	3430		RC0402DR-071K2L@V
	R	3206,3208,3236,3237	RC0402DR-0768KL@V	R	3434,3501,4010,4685		RC0402JR-07100RL@V
	R	3210	RC0402DR-0751KL@V	R	3435,3436,4417,4418		RC0402DR-073K3L@V
	R	3211	RC0402DR-07180KL@V	R	3437,3502,3507,3548		RC0402JR-070RL@V
	R	3212	RC0402DR-075K6L@V	R	3441		RC0402DR-07470RL@V
F	R	3213,3215	RC0402JR-0720KL@V	R	3503,3504		RC0402JR-072K2L@V
	R	3216	RC0402DR-07220RL@V	R	3505,3506,3602		RC0402JR-0722RL@V
	R	3220,3221,3231	RC0603JR-0722RL@V	R	3510,3511,3529,3532		RC0603JR-070RL@V
	R	3222-3225,3227,3228	RC0402JR-0710KL@V				

Mark	No.	Description	Part No.	Mark	No.	Description	Part No.
R	3518,3519		RC0603JR-071KL@V	R	4605-4612		RT0603DRD07100RL@V
R	3522,3523,4667		RC0603JR-07100RL@V	R	4613-4616		RC0603DR-0747KL@V
R	3527,3530,3853,3854		RC0603DR-075K1L@V	R	4621-4624,4629-4632		RT0603DRD071K8L@V
R	3528,3531,3910-3913		RC0603DR-073K3L@V	R	4633-4636		RC0603DR-07270KL@V
R	3533,3534,3544,3545		RC0402JR-0747KL@V	R	4639,4641,4643		RC0603DR-0722KL@V
R	3541,3542,4012		RC0402JR-07220KL@V	R	4640,4642,4644		RC0402JR-0710KL@V
R	3549,3550		RC0402JR-07390KL@V	R	4659-4662		RC0603DR-072K2L@V
R	3551,4420,4422		RC0402JR-0722KL@V	R	4663-4666		RC0603DR-071K2L@V
R	3552,3553		RC0402JR-0711KL@V	R	4669-4671		RC0603JR-07100RL@V
R	3603-3605,3650		RT0603DRD0722RL@V	R	4677,4680,4683,4686		RC0402JR-070RL@V
R	3606-3608,3633-3635		RC0402JR-0722RL@V	R	4681,4689-4691,4821		RC0402JR-0722RL@V
R	3615,3617,3621-3623		RC0402JR-0747RL@V	R	4688,4820,4833,4834		RC0402JR-070RL@V
R	3618,3620,3624-3626		RT0603DRD0768RL@V	R	4692,4827		RC0402JR-07100RL@V
R	3628,3629		RT0603DRD0768RL@V	R	4696,4697		RC0603JR-070RL@V
R	3630,3652		RT0603DRD0747RL@V	R	4801,4802		RC0402DR-073K6L@V
R	3631		RC0402JR-0747RL@V	R	4803,4804		RC0402DR-07820RL@V
R	3632,3639-3641,4011		RC0402JR-070RL@V	R	4806,4807		RC0603DR-07100RL@V
R	3642-3647,3649		RC0402JR-0722RL@V	R	4808,4809		RC0603DR-07220RL@V
R	3801-3804		RT0603DRD073KL@V	R	4811,4812		RC0603DR-073K3L@V
R	3809-3812		RC0603JR-0751KL@V	R	4822,4824		RC0402JR-0722RL@V
R	3813-3820		RC0805FR-07560RL@V	R	4823,4831		RT0603DRD074K7L@V
R	3821-3824,3833-3836		RC0603JR-0722KL@V	R	4825,4828		RT0603DRD071K5L@V
R	3825-3828		RC0805FR-07220RL@V	R	4826		RC0603DR-07820RL@V
R	3841-3844,4830		RC0603DR-07150RL@V	R	4835		RC0603DR-072K7L@V
R	3855-3862		RC0603DR-076K8L@V	R	4838		RT0603DRD071K2L@V
R	3863,3864		RC0603DR-075K1L@V	R	4840		RC0603DR-0751KL@V
R	3865-3872,4070-4077		RC1206JR-07470RL@V	R	4903-4906		RC0603JR-07100KL@V
R	3873,3874		RC0603DR-07680RL@V	CAPACITORS			
R	3875-3878,4038-4045		RC0603DR-074K7L@V	C	3005,3011,3013,3024		0402B103K500CT
R	3885-3890,4086-4089		RC0603JR-0718KL@V	C	3006,3012,3014,3019		0603B104K250CT
R	3891-3894		RT0603DRD0733RL@V	C	3007-3009,3224,3226		CC0402JRNPO9BN101
R	4007-4009,4207		RC0402JR-0722RL@V	C	3010,3015,3016,3227		0402N102J500CT
R	4014-4021		RC0603DR-078K2L@V	C	3020,3026,4639-4642		0603N332J500CT
R	4022,4025,4026,4029		RT0603DRD0710KL@V	C	3022,3233,3274,3311		CC0805KKX7R8BB105
R	4023,4024,4027,4028		RT0603DRD073K3L@V	C	3023,3229,3232,3302		0603B103K500CT
R	4030,4033,4034,4037		RT0603DRD0710KL@V	C	3025,3037,3040,3046		0402B103K500CT
R	4031,4032,4035,4036		RT0603DRD073K3L@V	C	3027 (0.1 uF)		ACE7100
R	4054-4061,4078-4081		RC0603DR-072K2L@V	C	3029,3212,3231,3249		0603B104K250CT
R	4062-4069		RC0603DR-073K9L@V	C	3030,3234,3312,3398 (1 uF)		ACE7129
R	4082-4085,4645,4646		RC0402JR-07100KL@V	C	3033,3235,3238,3506 (100 uF/16 V)		DCH1365
R	4091,4094,4097		RC0603JR-0733RL@V	C	3034,3528,3845-3848 (220 uF/16 V)		DCH1368
R	4208,4209		RC0402JR-0756RL@V	C	3035 (100 uF/25 V)		CCH2000
R	4210,4211,4408,4674		RC0402JR-070RL@V	C	3036,3039,3045,3048		CC0402KRX7R9BB102
R	4212,4213,4427-4430		RC0603DR-073K3L@V	C	3038,3041,3047,3053		CC0402KRX7R7BB104
R	4214,4215,4218-4225		RC0603DR-0715KL@V	C	3049,3052,3059,3213		0402B103K500CT
R	4216,4217		RC0603DR-075K6L@V	C	3050,3372		0603B104K500CT
R	4227-4230,4232,4234		RC0603DR-0739KL@V	C	3051,3054,3056,3058		CC0402KRX7R9BB102
R	4236,4238		RC0603DR-0739KL@V	C	3055,3057,3060,3207		CC0402KRX7R7BB104
R	4244,4246,4415,4416		RC0603DR-0715KL@V	C	3201		0603X474K160CT
R	4247-4250		RC0603JR-0718KL@V	C	3202,3252-3254,3287 (1 uF)		DCH1266
R	4251-4254		RC0603JR-0733RL@V	C	3203,3215,3240,3242		0603X105K250CT
R	4265,4267,4269,4271		RC1206JR-07680RL@V	C	3204,3291,3292		0603X334K250CT
R	4411,4412		RC0402DR-07330RL@V	C	3208		CC0402JRNPO9BN221
R	4419,4421		RC0402JR-071ML@V	C	3209		CC0402JRNPO9BN680
R	4424,4426		RC0805JR-0768RL@V	C	3210		CC0402KRX7R7BB223
R	4435-4438		RC0402DR-071K8L@V	C	3218,3219,3243,3244 (10 uF)		DCH1263
R	4439-4446		RC1206JR-0722RL@V	C	3220,3261,3301,3402		0402B103K500CT
R	4449-4451,4678,4679		RC0402JR-0722RL@V	C	3221,3222,3236,3237		0805B104K500CT
R	4601-4604,4693,4694		RC0603JR-070RL@V	C	3223,3225		0402N221J500CT

Mark	No.	Description	Part No.	Mark	No.	Description	Part No.
A	C	3228,3265,3282,3283	0402N102J500CT	C	3815,3816,4062,4063 (100 uF/35 V)	DCH1366	
	C	3239,3241,3263,3264	CC0402KRX7R7BB104	C	3817,3818,4064,4065 (0.1 uF)	DCE1031	
	C	3245,3246,3251,3297	0603X105K250CT	C	3825,3828,3829	CC0603JRNPO9BN101	
	C	3257,3260,3362,3364	CC0402KRX7R9BB682	C	3831,3832,3841,3844	0603B103K500CT	
				C	3834-3838,4025-4032	CC0603JRNPO9BN101	
	C	3258,3501	0603X475K100CT				
	C	3267,3268,3316,3322 (10 uF)	DCH1263	C	3850,3851,4057,4058 (220 uF/16 V)	DCH1368	
	C	3269,3272,3273,3290	0603B104K250CT	C	3856-3861 (1000 pF)	ACE7099	
	C	3271,4416,4419	CC0402JRNPO9BN330	C	3866,4010,4016,4074	0402B103K500CT	
	C	3276,3356,4803,4804	0402N471J500CT	C	4006,4008,4014,4833	CC0402JRNPO9BN101	
B	C	3277,3278	0805X106K250CT	C	4012,4017,4033-4036	0603B104K250CT	
	C	3280,3281,3284-3286	0402X105K250CT				
	C	3288,3289	DCH1369	C	4013,4015,4205,4405	0402N102J500CT	
	C	3293,3310,3327,3337	0603B104K250CT	C	4018,4656,4666 (1 uF)	ACE7129	
	C	3294,3295,3298,3306	0402N102J500CT	C	4021-4024,4605-4612	CC0603JRNPO9BN221	
				C	4041,4045,4049,4050	0603B103K500CT	
	C	3296,3303,3329-3331	CC0402KRX7R7BB104	C	4043,4046,4047	CC0603JRNPO9BN101	
	C	3299,3300,3332	CC0402KRX7R9BB102				
	C	3304,3305,4686,4692 (1 uF)	DCH1266	C	4052-4056,4228-4235	CC0603JRNPO9BN101	
	C	3307 (22 uF/50 V)	DCH1363	C	4060,4061,4621-4624 (220 uF/16 V)	DCH1368	
C	C	3308,3309,3383,3386 (10 uF)	CCG1192	C	4070-4073	0805N102J500CT	
				C	4076,4204,4258,4404	0402B103K500CT	
	C	3313,3508,3602	0603B103K500CT	C	4203,4209,4215,4218	0603B104K250CT	
	C	3314,3351,3399,3504	CC0402JRNPO9BN101				
	C	3315,3347,3603,3606	0402N102J500CT	C	4206,4207,4242-4245	CEVW101M16	
	C	3323,3387-3389,4201	CEVW101M16	C	4211,4212	0603N182J500CT	
	C	3324-3326,3333,3371 (10 uF)	DCH1263	C	4224-4227,4403,4407	0603B104K250CT	
				C	4238,4239	CEVW221M25	
	C	3334-3336,3341,3365	CC0402KRX7R9BB102	C	4254-4257,4821,4823	0603N471J500CT	
	C	3342,3346,3366,3502	0603B104K250CT				
D	C	3343-3345,3352-3354	CC0402KRX7R7BB104	C	4401	CEVW101M16	
	C	3348,3349	0402B473K250CT	C	4412,4601,4603,4801	CC0603JRNPO9BN102	
	C	3350	CC0402KRX7R9BB153	C	4415	CC0603JRNPO9BN151	
				C	4417,4421,4422,4424	0603B104K250CT	
	C	3357	CC0402JRNPO9BN391	C	4426,4431	CEVW221M16	
	C	3358	0402N681J500CT				
	C	3359,4213,4214,4414	CC0603JRNPO9BN151	C	4427-4430,4602,4604	0603B104K250CT	
	C	3367,3373-3375	CC0402KRX7R9BB102	C	4613-4616,4829	0603N331J500CT	
	C	3376,3381,3382,3384 (10 uF)	DCH1263	C	4625-4628 (0.012 uF)	ACE7125	
				C	4629,4636,4837,4838	CEVW470M25	
E	C	3377	CEVW331M35	C	4630-4635,4637,4638	0603B104K250CT	
	C	3378-3380,3392-3394	CC0402KRX7R7BB104				
	C	3385,3422 (10 uF)	DCH1263	C	4651-4654,4660,4663	CEVW100M16	
	C	3396,4409,4410	CEVW470M16	C	4657,4667,4688,4693 (10 uF)	CCG1192	
	C	3401,3605,3607,3609	CC0402KRX7R7BB104	C	4658,4662,4665,4668	0603B104K250CT	
				C	4659,4669,4683,4690	0402N102J500CT	
	C	3407,3421,4003	0603X105K250CT	C	4670,4675,4807,4808	CEVW100M16	
	C	3503,3509,3514,3519	CC0603JRNPO9BN102				
	C	3505,3527,3547,3864	0402B103K500CT	C	4672,4679,4685,4691	0603B104K250CT	
	C	3510,3515,3520,3604	CC0402JRNPO9BN101	C	4673,4674 (220 uF/16 V)	DCH1368	
F	C	3512,3516,4001,4020 (100 uF/16 V)	DCH1365	C	4682,4689,4824	CC0402KRX7R7BB104	
				C	4802,4828,4830,4832	0603B103K500CT	
	C	3513,3518 (0.01 uF)	ACE7097	C	4805 (22 uF)	DCH1256	
	C	3521,3522,3529,3530	CC0805KX7R8BB105				
	C	3523,3601,4004,4007	0603B104K250CT	C	4806,4835 (10 uF)	CCG1192	
	C	3524,4011,4210,4408	CEVW220M16	C	4809,4816,4820,4834	0603B104K250CT	
	C	3608,3610,3612,3614	0402N102J500CT	C	4810	0402N102J500CT	
				C	4811,4812	0805N103J500CT	
	C	3611,3613,3615,3617	CC0402KRX7R7BB104	C	4813,4817	CEVW100M16	
	C	3616,3618,3620,3628	0402N102J500CT				
G	C	3619,3627,3629,3631	CC0402KRX7R7BB104	C	4814,4815,4818,4819	CC0603JRNPO9BN102	
	C	3630,3632,3634,3636	0402N102J500CT	C	4825	CC0603JRNPO9BN101	
	C	3633,3635,3637,3641	CC0402KRX7R7BB104	C	4831,4840	0603N471J500CT	
				C	4836	CEVWNP100M35	
	C	3638,3639,4005,4009	0402N102J500CT				
	C	3801-3804	CFHXSQ472J16				
	C	3805,3806,3862,4411	CC0603JRNPO9BN102				
	C	3807-3810	CC0603JRNPO9BN561				
	C	3811-3814,3823,3827	0603B103K500CT				

Mark No.	Description	Part No.
	SUBB ASSY	
	Consists of	
	FRVR ASSY	
	HPJK ASSY	
	DCKL1 ASSY	
	DCKL2 ASSY	
	ZBVR ASSY	
	PWSW ASSY	
	MTRM ASSY	
	JOGR1 ASSY	
	JOGR2 ASSY	
	DCKR1 ASSY	
	DCKR2 ASSY	

BCDFNRSTUAAAB

SEMICONDUCTORS

IC 9301	NJM4580MD
Q 9001,9002	INC2002AC1
Q 9101,9201,9701,9703	LTC124EUB
Q 9102,9104,9105,9202	LTC123JUB
Q 9103,9203,9702,9705	ISA1602AM1
Q 9204,9205,9704,9708	LTC123JUB
Q 9301,9302	2SK209
Q 9706,9709,9801,9803	LTC124EUB
Q 9707,9710,9802,9805	ISA1602AM1
Q 9804,9808	LTC123JUB
Q 9806,9809	LTC124EUB
Q 9807,9810	ISA1602AM1
D 9001-9004	DF2B18FU
D 9101,9104,9105,9201	LTL17KSL5D-P
D 9102,9103,9202,9203	1SS355L@V
D 9106,9107,9206,9207	DAN202UM
D 9108,9208,9301	LTL17KRH5D-P
D 9204,9205,9705,9708	LTL17KSL5D-P
D 9701-9704,9707	1SS355L@V
D 9706,9709,9711,9713	DAN202UM
D 9710,9712,9714,9715	LTW-1GHCW4-P(A)@V
D 9716,9717,9806,9809	DAN202UM
D 9801-9804,9807	1SS355L@V
D 9805,9808	LTL17KSL5D-P
D 9810,9812,9814,9815	LTW-1GHCW4-P(A)@V
D 9811,9813,9816,9817	DAN202UM

MISCELLANEOUS

L 9302 CHIP SOLID INDUCTOR	XTL3010
JA 9001 6.5 DIA JACK	DKN1669
JA 9002 STEREO MINI JACK	XKN3017
KN 9001 SCREW PLATE	VNE1948
S 9101,9102,9107,9201 TACT SWITCH	DSG1089
S 9103-9106,9203-9206 TACT SWITCH	DSG1079
S 9108,9208 ENCODER SW	DSX1080
S 9202,9207,9701,9702 TACT SWITCH	DSG1089
S 9301 SLIDE SWITCH	DSH1058
S 9501 PUSH SW	ASG1102
S 9703-9705,9707 TACT SWITCH	DSG1079
S 9706,9801,9802,9806 TACT SWITCH	DSG1089
S 9803-9805,9807 TACT SWITCH	DSG1079
CN 9001 CONNECTOR	HWW-R0620-J1@V
CN 9101,9201 12P CONNECTOR	VKN1243
CN 9102,9202 29P CONNECTOR	VKN1260
CN 9301 CONNECTOR	HWW-R0320-J1@V

Mark No.	Description	Part No.
CN 9302	15P CONNECTOR	VKN1275
CN 9451	CONNECTOR	HWW-R0420-J1@V
CN 9501	CONNECTOR	HWW-L0320-J1@V
CN 9551,9601,9651	4P CONNECTOR	VKN1264
CN 9701,9801	19P CONNECTOR	VKN1250
PC 9601,9651	PHOTO INTERRUPTER	KE-2N18-15
VA 9001,9002,9701,9801	VARISTORS	EZJZ1V270RM

RESISTORS

R 9003,9004	RC0603JR-0718KL@V
R 9005,9006,9108,9208	RC0603JR-071KL@V
R 9101,9201	RC0603JR-071K5L@V
R 9102,9202	RC0603JR-0710KL@V
R 9103,9203,9707,9712	RC0603JR-0756KL@V
R 9104-9107,9204-9207	RC0603JR-07560RL@V
R 9109-9111,9209-9211	RC1206JR-070RL@V
R 9301,9302,9320	RC1206JR-070RL@V
R 9303,9304,9321	RC0603JR-070RL@V
R 9307,9315	RC0603DR-072K7L@V
R 9308,9313	RT0603DRD074K7L@V
R 9309,9311	RT0603DRD071K5L@V
R 9310	RC0603DR-07820RL@V
R 9312	RC0603DR-07150RL@V
R 9314,9719,9819	RC0603JR-073K3L@V
R 9318	RT0603DRD071K2L@V
R 9319	RC0603DR-0751KL@V
R 9501,9601,9602,9651	RC0603JR-07100RL@V
R 9603,9653	RC0603JR-0782RL@V
R 9652	RC0603JR-07100RL@V
R 9703,9704,9803,9804	RC0603JR-073K6L@V
R 9705,9710,9715,9720	RC0603JR-071K2L@V
R 9706,9711,9716,9721	RC0603JR-0722KL@V
R 9708,9709,9808,9809	RC0603JR-07470RL@V
R 9713,9714,9813,9814	RC0603JR-07680RL@V
R 9717,9722,9807,9812	RC0603JR-0756KL@V
R 9718,9723,9724,9818	RC0603JR-07820RL@V
R 9805,9810,9815,9820	RC0603JR-071K2L@V
R 9806,9811,9816,9821	RC0603JR-0722KL@V
R 9817,9822	RC0603JR-0756KL@V
R 9823,9824	RC0603JR-07820RL@V
VR 9301 ROTARY VR	DCS1132
VR 9302-9304 VARIABLE RESISTOR	ACS7026
VR 9451,9452,9701,9801 ROTARY VR	DCS1104
VR 9551 ROTARY VR	DCS1123
VR 9702,9802 SLIDE VR	DCV1032
VR 9703,9803 VARIABLE RESISTOR	DGP1107

CAPACITORS

C 9001,9003	CEANP471M6R3
C 9005-9008	0603B223K500CT
C 9009,9011	CC0603JRNPO9BN102
C 9010,9012	0805B104K500CT
C 9101,9102,9110,9201	0603B104K250CT
C 9103,9111,9203,9211 (10 uF)	DCH1263
C 9105,9205,9309,9311	0603B103K500CT
C 9202,9210,9326,9327	0603B104K250CT
C 9303,9305,9312,9318	0603N471J500CT
C 9304,9308	0603N102J500CT
C 9306	CC0603JRNPO9BN101
C 9310	0603N331J500CT
C 9313,9314,9317,9320	0603B103K500CT

Mark	No.	Description	Part No.
	C	9315	CEJQNP100M35
	C	9321,9332,9334,9501	0603B103K500CT
A	C	9324,9325 (10 uF)	CCG1236
	C	9328,9701,9707,9801 (10 uF)	DCH1263
	C	9329,9451,9452,9702	0603B104K250CT
	C	9335	0603B102K500CT
	C	9601,9651	0603X105K250CT
	C	9602,9603,9652,9653	0603B103K500CT
	C	9704,9706,9709-9714	0603B104K250CT
	C	9708,9808	CEJQ470M16
	C	9802,9804,9806	0603B104K250CT
	C	9807 (10 uF)	DCH1263
B	C	9809-9814	0603B104K250CT

Mark	No.	Description	Part No.
	D	8277,8279,8291,8293	LTL17KSL5D-P
	D	8281,8303,8305,8325	FC-1608SXX630D08
	D	8287,8289,8307,8309	NHSW146A-A21460
	D	8295,8297,8299,8301	LTL17KSL5D-P
	D	8304,8306,8308,8310	DAN202UM
	D	8311,8313,8331,8333	NHSW146A-A21460
	D	8312,8314,8316,8318	DAN202UM
	D	8315,8317,8319,8321	LTL17KSL5D-P
	D	8320,8322,8324	DAN202UM
	D	8323,8339,8341,8343	LTL17KSL5D-P
	D	8327,8329	FC-1608SXX630D08
	D	8335,8337	NHSW146A-A21460
	D	8345,8347	LTL17KSL5D-P
	D	8401-8418	1SS355L@V

MISCELLANEOUS

JA 8701	XLR SOCKET	DKB1124
KN 1,2	EARTH TERMINAL	AKF7002
KN 8701	SCREW PLATE	VNE1948
S 8001-8004,8401-8406	TACT SWITCH	DSG1079
S 8407	ROTARY ENCODER	DSX1137
S 8408	SLIDE SWITCH	DSH1058
CN 1	6P-VH CONNECTOR	B6P-VH
CN 2	CONNECTOR	HWW-SL1220-J1@V
CN 3	CONNECTOR	HWW-SL1320-J1@V
CN 8001	15P CONNECTOR	VKN1275
CN 8601	CONNECTOR	CKS3871
CN 8701	CONNECTOR	HWW-L0320-J1@V
P 1-3	PROTECTOR (3.0 A/32 V)	DEK1103
P 4	PROTECTOR (3.0 A/45 V)	DEK1128
P 5,6	PROTECTOR (3.0 A/32 V)	DEK1103

VA 8701-8703 VARISTORS EZJZ1V270RM

RESISTORS

R 1,3,5,11	RC0402JR-0733KL@V
R 2,4,6,10	RC0402JR-0747KL@V
R 7,9,14	RC0402JR-07220KL@V
R 8,15	RC0402JR-07100KL@V
R 12	RC0402JR-0733KL@V
R 13	RC0402JR-0747KL@V
R 16-20	RC0402JR-07100RL@V
R 8001,8201-8212	RC0603JR-072K2L@V
R 8005,8213-8224,8410	RC0603JR-0747KL@V
R 8018,8021,8244,8253	RC0603JR-0722KL@V
R 8019,8406,8411,8621	RC0603JR-0710KL@V
R 8020,8022	RC0603JR-07330RL@V
R 8225-8230	RC0603DR-07560RL@V
R 8231-8236,8245	RC0603JR-071KL@V
R 8237,8246	RC0603JR-07820RL@V
R 8254-8257,8290,8291	RC0603JR-07390RL@V
R 8258-8265,8292,8293	RC0603JR-07680RL@V
R 8266-8277,8279,8282	RC0603JR-071KL@V
R 8278,8280,8281,8283	RC0603JR-0722KL@V
R 8284,8286,8287,8289	RC0603JR-0722KL@V
R 8285,8288,8295,8298	RC0603JR-071KL@V
R 8294,8296,8297,8299	RC0603JR-0722KL@V
R 8401-8405	RC0603JR-07220KL@V
R 8407	RC0603JR-071ML@V
R 8408,8636-8642	RC0603JR-0722KL@V
R 8409	RC0603JR-071KL@V
R 8412,8413,8622	RC0603JR-074K7L@V

MIXER ASSY

Consists of

PWRB ASSY

MLCDL ASSY

MXRB ASSY

FMIC ASSY

ELOAC
SEMICONDUCTORS

C	IC	8401-8403	74VHC4051AFT
	IC	8404	NJM2903M
	IC	8601	74VHC164FT
	IC	8602,8603	74VHC595FT
	Q	1	RT1N241M
	Q	2,6	RT3N22M
	Q	3-5,7,8	LP3475T1G@V
	Q	8002,8201-8212	LSCR523UB
	Q	8008	LTC124EUB
	Q	8009,8217,8219,8221	2SB1689
	Q	8213,8214,8216,8218	LTC114YUB
D	Q	8215	2SAR502UB
	Q	8220,8222,8224,8226	LTC114YUB
	Q	8223,8225,8227	2SB1689
	Q	8401-8404	LTC114YUB
	Q	8405	RT1P431M
	D	1-5,8009,8202	1SS355L@V
	D	8001,8002,8216,8218	DAN202UM
	D	8008	NHSW157B-A17842
	D	8201,8215,8237,8259	FC-1608SXX630D08
	D	8203,8205,8207,8209	NHSW146A-A21460
	D	8204,8206,8208,8210	1SS355L@V
E	D	8211,8213,8217,8219	NHSW146A-A21460
	D	8212,8214,8326	1SS355L@V
	D	8220,8222,8224,8226	DAN202UM
	D	8221,8223,8239,8241	NHSW146A-A21460
	D	8225,8227,8229,8231	LTL17KSL5D-P
	D	8228,8230,8232,8234	DAN202UM
	D	8233,8235,8247,8249	LTL17KSL5D-P
	D	8236,8260,8262,8264	DAN202UM
	D	8243,8245,8261,8263	NHSW146A-A21460
	D	8251,8253,8255,8257	LTL17KSL5D-P
	D	8265,8267,8283,8285	NHSW146A-A21460
F	D	8266,8268,8270,8272	DAN202UM
	D	8269,8271,8273,8275	LTL17KSL5D-P
	D	8274,8276,8278,8280	DAN202UM

Mark	No.	Description	Part No.	Mark	No.	Description	Part No.
R	8601-8604,8624		RC0603JR-0722RL@V	⚠	IC	705	AP64500SP@V
R	8605-8620,8623		RC0603JR-07100RL@V	⚠	IC	706	BD2232G-G
R	8625-8632		RC0603JR-07100RL@V	⚠	IC	707,708	BD00IC0WFEJ
R	8633-8635		RC0603JR-07390RL@V	⚠	IC	710-712	MM3542BF
R	8701,8702		RC0603DR-07100RL@V	⚠	IC	716-718	AP22615AWU@V
R	8703,8704		RC0603DR-07220RL@V		IC	1001-1012	74LV4T125FK@V
R	8705,8706		RC0603DR-073K3L@V	NSP	IC	1201	OMAPL137DZKB4@V
VR	8001,8402-8405 ROTARY VR		DCS1104		IC	1202	W9812G6KH-6
VR	8401,8408-8412 ROTARY VR		DCS1078		IC	1401	SN74AUC1G08DCK
VR	8406,8413,8419,8424 ROTARY VR		DCS1126		IC	1601	MIMXRT1062DVJ6B@V
VR	8407 ROTARY VR		DCS1125		IC	1802	DYW2295*
VR	8414-8418,8420-8423 ROTARY VR		DCS1078			*Part number of the initial firmware equipped	
					IC	2001-2004	TC7SH08FUS2
CAPACITORS							
C	1,17-19,38		CC0402JRNPO9BN101		Q	201,402	RTQ040P02
C	2,20-22,40		0402N102J500CT		Q	202,711,714,715	LSCR523UB
C	4,42,8001,8003		0603B103K500CT		Q	401,724,2011	LTC024EEB
C	5 (0.1 uF)		DCE1062		Q	601,718,1002,1005	LTC023JEB
C	6,7 (470 uF/35 V)		DCH1359		Q	602,1003,1004,1006	LTA023JEB
C	8-13,23-25		0402B103K500CT		Q	701-703	RT3N22M
C	14-16,36,37		CC0402KRX7R7BB104		Q	704,706,708-710	LSAR523UB
C	26,28 (10 uF)		DGH1263		Q	705,707	HN1C01FUS1
C	27 (22 uF)		DCG1066		Q	712,713,716,719	LSAR523UB
C	29,30		CEVW101M16		Q	717,721,722,2006	LSCR523UB
C	31		CEVW470M25		Q	720,2012	LSAR523UB
C	32-35,43		0402B103K500CT	⚠	Q	723	RSQ045N03
C	39		CC0402JRNPO9BN101		Q	725	LTA024EEB
C	41		0402N102J500CT		Q	1001,2002,2008	EM6K7
C	44 (0.1 uF)		DCE1031		Q	1007,2001,2004,2009	LTC023JEB
C	8002,8004,8701		CC0603JRNPO9BN102		Q	2003,2005,2010	LTA023JEB
C	8005,8009,8617,8619		0603B103K500CT		Q	2007	LP3475T1G@V
C	8201-8207,8410-8412		0603B104K250CT		D	101,102,107-110	DF2B5M4CT@V
C	8401-8409,8413-8433		0603N471J500CT		D	111,212,213	EZAEG2N50A
C	8434-8461,8605,8607		0603B104K250CT		D	112,113,118-122	DF2B5M4CT@V
C	8606,8612 (10 uF)		CCG1192		D	201,203-211	DF2B5M4CT@V
C	8609,8616,8621,8622		0603B104K250CT		D	202,401,701,703	1SS355L@V
C	8610,8613		CEJQ101M16		D	402,403,702,707	DAN202UM
C	8615,8618		0603N471J500CT		D	704-706	UDZV5R1
C	8620,8702,8703		0603B103K500CT		D	708,2002	1SS355L@V
C	8704		0603B102K500CT		D	709	DAN202UM
C	8705,8706		0805N103J500CT				
C	8707-8710		CC0603JRNPO9BN102				
MISCELLANEOUS							
					L	101,102,106,205 COIL	ATH7015
					L	103,301,1602 POWER INDUCTOR (4.7 uH)	ATH7047
					L	104,105,201-204 COIL	ATH7022
					L	401-404,1001,1002 COIL	ATH7022
					L	405,414 SMD FERRITE BEADS	DTF1123
					L	413 SMD SPL INDUCTOR	CTH1531
					L	601,1003,1004 COIL	ATH7015
					L	701 SMD SPL INDUCTOR (22 uH)	CTH1521
					L	702,705-707 CHOKE COIL (10 uH)	CTH1486
					L	703 SMD SPL INDUCTOR (47 uH)	CTH1597
					L	704 CHOKE COIL (4.7 uH)	CTH1480
					L	1007-1012 SMD FERRITE BEADS	DTF1122
					L	1201 SMD FERRITE BEADS	CTF1823
					L	1401,1802 SMD FERRITE BEADS	DTF1122
					L	1601 SMD FERRITE BEADS	DTF1123
					L	1803,2019 SMD FERRITE BEADS	DTF1122
					L	2015-2018 COIL	ATH7022
					F	701 EMI FILTER	DTL1106
					JA	101 USB JACK	DKN1671

G MAIN ASSY SEMICONDUCTORS

IC	101,301	VL817-Q7(C0)@V
IC	102	DYW2294*
	*Part number of the initial firmware equipped	
IC	201	VL162@V
IC	202	DPO2036DBB@V
IC	302,1803-1805	TC7SH08FUS2
IC	303	DYW2295*
	*Part number of the initial firmware equipped	
IC	304	S-80930CNMC-G80
IC	401	RTL8367N-VB-CG@V
NSP	IC 402	RTL8153B-VB-CG
	IC 404	BR24G08FVT-3A@V
⚠	IC 701	NJM2831F05
⚠	IC 702,703	MM3543BH
⚠	IC 704	BD9328EFJ

Mark	No.	Description	Part No.	Mark	No.	Description	Part No.
	JA 201	USB JACK	DKN1693	R	721,766,769,772		RC0402DR-0710KL@V
				R	722,725		RC0402DR-076K8L@V
A	JA 401	RJ45 CONNECTOR	VKN2023	R	723,726		RC0402DR-0775RL@V
	K 601,602	SPACER	YSMTSO-75333-ET@V	R	724,727		RC0402DR-072K2L@V
	K 1001-1007	SPACER	YSMTSO-75846-ET@V	R	728		RC0402DR-07750RL@V
	KN 101,401	SCREW PLATE	VNE1948				
	KN 2001-2007	WRAPPING TERMINAL	CKF1089	R	729,740,820,830		RC0402DR-073K3L@V
				R	730		RC0402DR-079K1L@V
	T 401-408	TRANSFORMER	DTX1012	R	732,835,1029,1909		RC0603JR-070RL@V
	X 101,301	CRYSTAL RESONATOR (25 MHz)	DSS1218	R	735		RC0402DR-07200KL@V
	X 401,402	CRYSTAL RESONATOR (25 MHz)	DSS1218	R	739,787-789		RC0402JR-0710KL@V
	X 1601	RESONATOR (24 MHz)	CSS1773				
	CN 101	CONNECTOR	HWW-SL1020-J1@V	R	741,831		RC0402DR-078K2L@V
				R	742		RC0402DR-073KL@V
	CN 601	CARD EDGE CONNECTOR	DKX1055	R	743		RC0402DR-072K4L@V
B	CN 1001	CARD EDGE CONNECTOR	DKX1054	R	755,800,805,810		RC0402JR-070RL@V
	CN 2001	FFC/FPC CONNECTOR	CKS6645	R	761-763		RC0402DR-0727KL@V
	CN 2002	CONNECTOR	HWW-SR1220-J1@V				
	CN 2003	FFC/FPC CONNECTOR	CKS6646	R	764,767,770		RC0402DR-0751KL@V
				R	765,768,771,796		RC0402DR-071K5L@V
	CN 2004	FFC/FPC CONNECTOR	CKS6543	R	773,774,818,836		RC0402JR-071KL@V
				R	778-780,1001-1004		RC0402JR-07100RL@V
				R	793-795,850,852		RC0402JR-07330RL@V
				R	797,802,807,826		RC0402DR-072K7L@V
	R 101,105,124,125		RC0402JR-070RL@V	R	801,806,843		RC0402DR-071K5L@V
	R 103,303,814		RC0402DR-075K6L@V	R	811,822,828,833		RC0402JR-072K2L@V
	R 104,304		RC0402DR-07430RL@V	R	815-817,1005,1008		RC0402JR-0710KL@V
	R 106-108,114,115		RC0402JR-0710KL@V	R	819		RC0402DR-071K8L@V
	R 110,308,323,417		RC0402JR-074K7L@V				
C	R 111-113,118,130		RC0402JR-07100RL@V	R	823,824,829,834		RC0402JR-070RL@V
	R 119,121,122,128		RC0402JR-0710KL@V	R	825		RC0402DR-071K3L@V
	R 120,219,320,426		RC0603JR-070RL@V	R	838,1105,1211,1212		RC0402JR-070RL@V
	R 129,202,204,205		RC0402JR-0710KL@V	R	839,847,848		RC0402JR-071KL@V
	R 201,309-311		RC0402JR-07100RL@V	R	840,842		RC0402DR-073K9L@V
	R 207,208,211,216		RC0402JR-0710KL@V	R	844		RC0402DR-072K7L@V
	R 209		RC0402DR-07120KL@V	R	845,1018,1022,2034		RC0402JR-072K2L@V
	R 210,813		RC0402DR-074K3L@V	R	849,851,853		RC0402DR-073K3L@V
	R 215,406,716,717		RC0402JR-07100KL@V	R	854,1042,1043		RC0402JR-07330RL@V
	R 218,713,2054		RC0805JR-070RL@V	R	864		RC0603JR-071KL@V
D	R 220,221,2040		RC0402JR-0747KL@V	R	865		RC0603JR-07100KL@V
	R 301,322,326		RC0402JR-070RL@V	R	1006,1007,1009,1011		RC0402JR-07100RL@V
	R 305-307,312-314		RC0402JR-0710KL@V	R	1010,1012,1014,1034		RC0402JR-0710KL@V
	R 315-318,408,410		RC0402JR-07100RL@V	R	1016,1017,1024-1028		RC0402JR-07100RL@V
	R 319,321,324,325		RC0402JR-0710KL@V	R	1021,1023,1425,1431		RC0402JR-0722RL@V
	R 401-404,459-462		RC0603JR-0775RL@V	R	1030,1032,1033		RC0402JR-07100RL@V
	R 405,409,445,454		RC0402JR-0710KL@V	R	1035-1041,1046,1047		RC0402JR-07100RL@V
	R 411,423,424,431		RC0402JR-07100RL@V	R	1044,1045,1048,1066		RC0402JR-0710KL@V
	R 412,799,804,809		RC0402JR-072K2L@V	R	1049,1050,1052-1065		RC0402JR-07100RL@V
	R 413-416,418-421		RC0402JR-070RL@V	R	1051		RC0402JR-07470RL@V
	R 422,438		RC0402FR-072K49L@V	R	1067,1074,1077,1098		RC0402JR-0710KL@V
E	R 425,427,430,432		RC0402JR-074K7L@V	R	1068-1073,1075,1076		RC0402JR-07100RL@V
	R 434,604,605		RC0402JR-07100RL@V	R	1078-1081,1083-1093		RC0402JR-07100RL@V
	R 435,841		RC0402JR-071K8L@V	R	1099-1101,1219		RC0402JR-07100RL@V
	R 436,439-443,447		RC0402JR-074K7L@V	R	1102-1104,1408		RC0402JR-071KL@V
	R 444		RAB4CQ472J	R	1201,1202		RAB4CQ680J
	R 448,790-792,1457		RC0402JR-074K7L@V	R	1203,1204,1206-1208		RC0402JR-0782RL@V
	R 457,603,703,738		RC0402JR-0710KL@V	R	1205		RC0402JR-0733RL@V
	R 704,749,756,757		RC0402JR-071KL@V	R	1209,1210,1218		RAB4CQ820J
	R 708,709,752,753		RC0402JR-070RL@V	R	1213-1217		RC0402JR-0782RL@V
	R 711,775-777,837		RC0402JR-0722RL@V	R	1220-1223		RAB4CQ470J
	R 712,860		RC0402DR-0715KL@V	R	1401-1404,1407,1424		RC0402JR-07100RL@V
F	R 714		RC0402DR-07110KL@V	R	1405,1437,1444,1446		RC0402JR-070RL@V
	R 718,719,731,861		RC0402DR-0722KL@V	R	1406,1416-1418,1426		RC0402JR-0710KL@V
	R 720,737,758-760		RC0402JR-07100KL@V	R	1411-1415,1420-1422		RC0402JR-071KL@V

Mark	No.	Description	Part No.
------	-----	-------------	----------

Mark	No.	Description	Part No.
------	-----	-------------	----------

A	C	802	0402B473K160CT
	C	807-809,1620,1805	0402N471J500CT
	C	816-818,850,851	CC0402KRX7R9BB102
	C	819-821,844-846	CC0402KRX7R7BB104
	C	822-827,866-868	0805X106K250CT

UCOM ASSY
Consists of
FADB ASSY
USBA ASSY
JSTE ASSY
JSTS ASSY



	C	834-836,840	CC0402JRNPO9BN100
	C	841	0402B332K500CT
	C	847,848,854	CC0603KRX5R8BB105
	C	853,1003,1008,1212	CC0402KRX7R9BB102
	C	855,2003,2011,2018	0402B104K250CT

	IC	6001	74LCX244FT
	IC	6101	DYW2297*
	*Part number of the initial firmware equipped		
	IC	6102,6401	MIMXRT1021DAG5B@V
	IC	6103,6104	S-80930CNMC-G80
	IC	6402	DYW2298*
	*Part number of the initial firmware equipped		

B	C	857-862,1005,1029	CC0402JRNPO9BN100
	C	864,1611 (100 uF/16 V)	CCH1565
	C	1001,1244,1632,1806	0805X106K250CT
	C	1002,1006,1007,1009	CC0402KRX7R7BB104
	C	1012-1015,1018-1027	CC0402KRX7R7BB104

	IC	6701	TC74HC4051AF
	IC	6702-6704	TC7SH08FUS2
	Q	6001,6002	LTA024EEB
	Q	6701-6705,6951	LTC023JEB
	D	6702,6705,6708,6711	NHSW146A-A21460

	C	1030,1403,1407,1602	CC0402KRX7R7BB104
	C	1204,1206,1208,1210	0402B103K500CT
	C	1211,1213,1215,1217	0402B103K500CT
	C	1214,1216,1218,1220	CC0402KRX7R9BB102
	C	1219,1221,1223,1225	0402B103K500CT

	D	6713	LTL17KSL5D-P
	D	6801,6804	EZAEG2N50A
	D	6802,6803,6805,6806	DF2B5M4CT@V
	D	6951,6954	DAN202UM
	D	6952,6953	NHSW157B-A17842

C	C	1222,1224,1226,1228	CC0402KRX7R9BB102
	C	1227,1229,1231,1233	0402B103K500CT
	C	1230,1232,1234,1236	CC0402KRX7R9BB102
	C	1235,1237,1240,1243	0402B103K500CT
	C	1239,1402,1406,1809	CC0402KRX7R9BB102

MISCELLANEOUS

	C	1241,1614	0603X105K160CT
	C	1242,1617,1619	0402B224K160CT
	C	1245-1251,1401,1405	0402B103K500CT
	C	1603,1605,1606,1608	CC0402KRX7R7BB104
	C	1607,1612,1616,1618	0603X475K100CT

	L	6101,6401 POWER INDUCTOR (4.7 uH)	ATH7047
	L	6102,6402 SMD FERRITE BEADS	DTF1123
	L	6403-6405 SMD FERRITE BEADS	DTF1122
	JA	6801,6802 USB JACK	DKB1118
	KN	6801,6802 WRAPPING TERMINAL	CKF1089

	C	1609,1615,1804,1811	CC0402KRX7R7BB104
	C	1610,1639	CEHVAW220M6R3
	C	1621-1624,1626-1629	0402B224K160CT
	C	1625,1646,1801,1802	0402B103K500CT
	C	1631,1633-1635	0402B224K160CT

	S	6701-6708 TACT SWITCH	DSG1079
	S	6709 ROTARY ENCODER	DSX1136
	S	6901 ENCODER SW	DSX1080
	S	6951-6954 TACTILE SWITCH	DSG1155
	X	6101,6401 RESONATOR (24 MHz)	CSS1773

D	C	1637,1638,1645	0603X475K100CT
	C	1640-1644	0402B224K160CT
	C	1647,1648	CC0402CRNPO9BN5R0
	C	1649-1651,2049-2051	CC0402JRNPO9BN100
	C	1807,1808,1812,1814	0402N471J500CT

	CN	6001 CONNECTOR	HHW-SL0420-J1@V
	CN	6002,6004 FFC/FPC CONNECTOR	CKS6646
	CN	6003 FFC/FPC CONNECTOR	CKS6645
	CN	6005 FFC/FPC CONNECTOR	CKS6646
	CN	6006 CONNECTOR	CKS3871

	C	1815,1826,1827,1829	CC0402KRX7R7BB104
	C	1816	0402N471J500CT
	C	1828,1830,1832,1834	CC0402KRX7R9BB102
	C	1831,2006,2009,2015	CC0402KRX7R7BB104
	C	1833,2055	CC0402JRNPO9BN101

	CN	6801 CONNECTOR	HHW-SL1020-J1@V
	CN	6901 CONNECTOR	VKN2038
	CN	6951 FFC/FPC CONNECTOR	CKS6635
		9001 SPACER	DEC3622
	VA	6701-6705 SMD VARISTOR	MLV0603ES024V0003N

E	C	2001,2004,2008,2010	CC0402KRX7R9BB102
	C	2005,2028,2029	0402B103K500CT
	C	2007,2012,2019	CEHVAW101M25
	C	2013,2014,2017,2023	CC0402KRX7R9BB102
	C	2016,2022,2026,2027	CC0402KRX7R7BB104

	VA	6801-6804 SMD VARISTOR	EZJZ1V80010
--	----	------------------------	-------------

RESISTORS

	C	2025,2032,2034,2036	CC0402KRX7R9BB102
	C	2030,2031,2035	0402B104K250CT
	C	2033,2037,2039	CC0402KRX7R7BB104
	C	2038	CC0402KRX7R9BB102
	C	2052	0402B104K160CT

	R	6001,6002,6004,6006	RC0402JR-0722RL@V
	R	6003,6005	RC0402JR-0768RL@V
	R	6007,6010	RC0402JR-0727RL@V
	R	6008,6009,6011,6012	RC0402JR-07100RL@V
	R	6013-6022,6135,6220	RC0402JR-070RL@V

F	R	6104,6106,6109,6112	RC0402JR-0710KL@V
	R	6110,6147,6153,6162	RC0402JR-071KL@V
	R	6111,6136,6163,6172	RC0402JR-07100RL@V
	R	6113,6115,6116,6118	RC0402JR-0722RL@V
	R	6114,6117,6119,6122	RC0402JR-0710KL@V

	R	6104,6106,6109,6112	RC0402JR-0710KL@V
	R	6110,6147,6153,6162	RC0402JR-071KL@V
	R	6111,6136,6163,6172	RC0402JR-07100RL@V
	R	6113,6115,6116,6118	RC0402JR-0722RL@V
	R	6114,6117,6119,6122	RC0402JR-0710KL@V

	R	6120,6121,6123-6125	RC0402JR-0722RL@V
--	---	---------------------	-------------------

Mark	No.	Description	Part No.	Mark	No.	Description	Part No.
R	6126-6128,6134,6142		RC0402JR-0710KL@V	C	6017,6020,6025-6027		CC0402KRX7R7BB104
R	6129-6133,6137-6141		RC0402JR-0722RL@V				
R	6143,6148-6152,6164		RC0402JR-0710KL@V	C	6028,6029,6050,6051 (10 uF)	ACG1142	A
R	6145,6154-6157,6159		RC0402JR-0722RL@V	C	6031,6034,6044,6048	CC0402KRX7R7BB104	
				C	6049,6052,6054,6058	CC0402KRX7R7BB104	
R	6146,6429		RC0402JR-074K7L@V	C	6059,6101,6103-6105	CC0402KRX7R7BB104	
R	6161,6165-6169,6171		RC0402JR-0722RL@V	C	6060 (10 uF)	ACG1142	
R	6170,6217,6235,6236		RC0402JR-071KL@V				
R	6173-6182,6184,6186		RC0402JR-0722RL@V	C	6068,6073,6178	0402N102J500CT	
R	6183,6187,6190,6191		RC0402JR-0710KL@V	C	6102,6113,6117,6121	0603X475K6R3CT	
				C	6106-6110,6119,6124	0402N471J500CT	
R	6185,6189,6192,6194		RC0402JR-07100RL@V	C	6111,6112,6114-6116	CC0402KRX7R7BB104	
R	6188,6198,6201-6203		RC0402JR-0722RL@V	C	6118,6120,6122,6125	CC0402KRX7R7BB104	
R	6193,6195,6197,6200		RC0402JR-0710KL@V				
R	6196,6199,6208,6209		RC0402JR-07100RL@V	C	6123,6135,6140,6144	0603X475K6R3CT	
R	6204,6207,6215,6216		RC0402JR-0710KL@V	C	6126,6128,6129,6141	0402N471J500CT	B
				C	6127,6130,6134,6147	CC0402KRX7R7BB104	
R	6205,6206,6210,6226		RC0402JR-0722RL@V	C	6131-6133,6136,6138	0402B103K500CT	
R	6211-6214,6224,6225		RC0402JR-07100RL@V	C	6137,6143,6145,6149	CC0402KRX5R5BB224	
R	6218,6222,6223,6232		RC0603JR-070RL@V				
R	6219		RC0402JR-07330RL@V	C	6139,6432,6433	0402B103K500CT	
R	6221,6231,6424,6492		RC0402JR-070RL@V	C	6142,6405,6406,6410	0402N471J500CT	
				C	6146,6150,6170,6173	0603X475K6R3CT	
R	6227,6406,6408		RC0402JR-0722RL@V	C	6148,6452	0603X106K100CT	
R	6228,6229,6446,6453		RC0402JR-07100RL@V	C	6151,6154,6158,6159	CC0402KRX5R5BB224	
R	6233,6490,6494,6495		RC0603JR-070RL@V				
R	6234,6506		RC0402JR-072M2L@V	C	6152,6153,6157,6176	CC0402KRX7R7BB104	
R	6238,6405,6407		RC0402JR-0710KL@V	C	6156,6171,6174,6461	0805X226M100CT	
				C	6161,6466	0603X105K160CT	C
R	6404		RC0402JR-071KL@V	C	6163,6468	CEVW470M16	
R	6409-6414,6419,6425		RC0402JR-0710KL@V	C	6164,6469	CEVW101M16	
R	6415-6418,6420-6423		RC0402JR-0722RL@V				
R	6426,6430-6432,6434		RC0402JR-0710KL@V	C	6165,6441,6447,6449	CC0402KRX5R5BB224	
R	6428,6433,6435,6438		RC0402JR-0722RL@V	C	6167,6472 (10 uF)	DCH1263	
				C	6172,6175,6477,6480	CC0402CRNPO9BN5R0	
R	6436,6440,6443,6444		RC0402JR-0710KL@V	C	6177,6181,6184,6187	CC0402KRX7R7BB104	
R	6441,6442,6445,6448		RC0402JR-0722RL@V	C	6179	0402N561J500CT	
R	6447,6450,6454,6457		RC0402JR-0710KL@V				
R	6449,6451,6452,6455		RC0402JR-0722RL@V	C	6182,6183 (47 uF/16 V)	CCH1961	
R	6456,6458,6459,6462		RC0402JR-0722RL@V	C	6185,6402,6408,6413	0603X475K6R3CT	
				C	6401,6403,6404,6407	CC0402KRX7R7BB104	
R	6460,6461,6464,6466		RC0402JR-0710KL@V	C	6409,6412,6414,6415	CC0402KRX7R7BB104	D
R	6463,6467,6468,6470		RC0402JR-07100RL@V	C	6411,6416,6417	0402N471J500CT	
R	6465,6498,6499,6501		RC0402JR-0722RL@V				
R	6469,6472,6474,6476		RC0402JR-0710KL@V	C	6418,6428,6431,6434	CC0402KRX7R7BB104	
R	6471,6473,6475,6477		RC0402JR-07100RL@V	C	6419,6430,6439,6444	0603X475K6R3CT	
				C	6420-6422,6424-6427	0402N471J500CT	
R	6478,6480-6487,6491		RC0402JR-07100RL@V	C	6429,6445,6446,6706	0402N471J500CT	
R	6479,6488,6489		RC0402JR-0710KL@V	C	6435-6437,6440,6442	0402B103K500CT	
R	6493,6503,6715,6718		RC0402JR-070RL@V				
R	6496,6497,6500		RC0402JR-07100RL@V	C	6438,6451,6458,6462	CC0402KRX7R7BB104	
R	6504,6505,6507		RC0603JR-070RL@V	C	6443,6460,6467	0402B103K500CT	
				C	6448,6450,6454,6475	0603X475K6R3CT	
R	6509-6511		RC0402JR-0710KL@V	C	6453,6455,6459,6463	CC0402KRX5R5BB224	
R	6702,6705,6708,6711		RC0603JR-07470RL@V	C	6464,6470	CC0402KRX5R5BB224	E
R	6713		RC0603JR-07270RL@V				
R	6721,6726-6729		RC0402JR-070RL@V	C	6476,6479	0805X226M100CT	
R	6951-6954		RC0603JR-071K5L@V	C	6478,6483	0603X475K6R3CT	
				C	6482,6701-6705,6708	CC0402KRX7R7BB104	
VR	6701,6703 ROTARY VR	DCS1078		C	6707,6709,6711-6713	0402N471J500CT	
VR	6702 ROTARY VR	DCS1104		C	6710,6717-6719,6951	CC0402KRX7R7BB104	
VR	6704 VARIABLE RESISTOR	CCW1024					
VR	6705-6708 SLIDE VR	DCV1027		C	6714-6716,6803,6807	0402N102J500CT	
VR	6709 POTENTIOMETER	DCS1065		C	6722,6725,6728	0402B104K160CT	
				C	6731,6734,6737,6740	CC0603JRNPO9BN101	
				C	6732,6735,6738,6741	0603B102K500CT	
				C	6733,6736,6739,6742	0603B104K250CT	
CAPACITORS							
C	6001,6003,6008,6009		CC0402KRX7R7BB104				F
C	6005,6006,6019,6024		CEVW101M16	C	6743,6746,6749	CC0603JRNPO9BN101	
C	6007		CEVW470M25	C	6744,6747,6750	0603B102K500CT	
C	6010,6016,6043		0402B104K500CT	C	6745,6748,6751	0603B104K250CT	

Mark	No.	Description	Part No.	Mark	No.	Description	Part No.
	C	6801,6805	CC0402KRX7R7BB103	R	5026,5027,5302		RC0402JR-0710KL@V
A		LCDB ASSY Consists of MLCDR ASSY SLCD1 ASSY SLCD2 ASSY		R	5102-5104,5118,5121		RC0402JR-072K2L@V
				R	5105,5131		RAB4CQ101J
				R	5108-5110,5128		RC0402JR-0747KL@V
				R	5111,5130,5307,5707		RC0402JR-0722KL@V
				R	5116,5117,5144,5145		RC0402JR-071K8L@V
				R	5122,5124,5134-5136		RC0402JR-072K2L@V
				R	5140-5142		RC0402JR-0747KL@V
				R	5146-5149		RC0402JR-072K2L@V
				R	5201,5202,5250-5257		RC0402JR-070RL@V
				R	5203,5210-5214,5219		RC0402JR-0722RL@V
				R	5215-5217,5312,5331		RC0402JR-07100RL@V
				R	5218,5318,5502,5504		RC0402JR-074K7L@V
				R	5220-5237,5243-5247		RC0402JR-07220RL@V
				R	5238-5240,5242,5320		RC0402JR-0756RL@V
				R	5301,5306,5404,5701		RC0603JR-070RL@V
				R	5303,5317,5501,5703		RC0402JR-07100KL@V
				R	5304,5704		RC0402JR-073K3L@V
				R	5305,5705		RC0402JR-0739KL@V
				R	5308,5708		RC0402JR-07100RL@V
				R	5309,5503,5505,5709		RC0402JR-078K2L@V
				R	5310,5710		RC0402JR-0782KL@V
				R	5311,5711		RC0402DR-0710RL@V
				R	5314,5319,5322,5601		RC0402JR-070RL@V
				R	5316,5716		RC0402JR-072M2L@V
				R	5321,5323-5330		RC0402JR-0756RL@V
				R	5332-5337,5442,5480		RC0402JR-0710KL@V
				R	5339,5340,5739,5740		RC0402JR-076K8L@V
				R	5341-5348,5741-5748		RC0603JR-074K7L@V
				R	5402,5403,5437,5438		RAB4CQ560J
				R	5405-5407,5411,5412		RC0402JR-0756RL@V
				R	5413,5416-5419		RC0402JR-07100RL@V
				R	5414,5415,5420-5422		RC0402JR-0756RL@V
				R	5427-5430,5445-5447		RC0402JR-0756RL@V
				R	5431-5434,5604-5607		RC0402JR-07100RL@V
				R	5435,5436,5439,5440		RAB4CQ103J
				R	5441,5841		RC0402JR-071KL@V
				R	5444,5620-5637		RC0402JR-07220RL@V
				R	5449,5450,5452		RC0402JR-0756RL@V
				R	5506,5906		RC0402JR-0733KL@V
				R	5602,5650-5657,5713		RC0402JR-070RL@V
				R	5603,5610-5614,5619		RC0402JR-0722RL@V
				R	5615-5617,5712,5731		RC0402JR-07100RL@V
				R	5618,5718,5902,5904		RC0402JR-074K7L@V
				R	5638-5640,5642,5720		RC0402JR-0756RL@V
				R	5643-5647,5844		RC0402JR-07220RL@V
				R	5702,5732-5737,5842		RC0402JR-0710KL@V
				R	5706,5804		RC0603JR-070RL@V
				R	5714,5719,5722		RC0402JR-070RL@V
				R	5717,5901		RC0402JR-07100KL@V
				R	5721,5723-5730		RC0402JR-0756RL@V
				R	5802,5803,5837,5838		RAB4CQ560J
				R	5805-5807,5811,5812		RC0402JR-0756RL@V
				R	5813,5816-5819		RC0402JR-07100RL@V
				R	5814,5815,5820-5822		RC0402JR-0756RL@V
				R	5827-5830,5845-5847		RC0402JR-0756RL@V
				R	5831-5834		RC0402JR-07100RL@V
				R	5835,5836,5839,5840		RAB4CQ103J
				R	5849,5850,5852		RC0402JR-0756RL@V
				R	5003-5011,5021-5025		RC0402JR-070RL@V
				R	5012,5013		RC0805JR-070RL@V
				R	5014-5018,5106,5132		RC0402JR-0722RL@V
				R	5019,5020,5204-5207		RC0402JR-07100RL@V
				R	74VHC164FT		
				R	74VHCT126AFT		
				R	MIMXRT1052DVJ6B@V		
				R	DYW2299*		
				R	TC7SH08FUS2		
				R	W9812G6KH-6		
				R	IS31FL3236AQFLS2		
				R	LTC024EEB		
				R	LSCR523UB		
				R	RT3N22M		
				R	RN4983S1		
				R	LTC023JEB		
				R	ISA1602AM1		
				R	2SB1188		
				R	LSCR523UB		
				R	LTC024EEB		
				R	NSSM124F-A21107		
				R	DAN202UM		
				R	NSSM124F-A21107		
				R	BTX1047		
				R	DTF1123		
				R	ATH7047		
				R	DTF1122		
				R	DTF1122		
				R	CKF1089		
				R	DSG1079		
				R	CSG1155		
				R	DSG1153		
				R	DSG1089		
				R	DSG1153		
				R	CSG1155		
				R	CSS1773		
				R	CKS6543		
				R	CKS4808		
				R	CKS6635		
				R	VKN2038		
				R	CKS6644		
				R	CKS6648		
				R	CKS3870		
				R	CKS6643		
				R	CKS6646		
				R	CKS3860		
				R	CKS6644		
				R	RC0402JR-070RL@V		
				R	RC0805JR-070RL@V		
				R	RC0402JR-0722RL@V		
				R	RC0402JR-07100RL@V		

Mark	No.	Description	Part No.
------	-----	-------------	----------

R	5879		RC0402JR-0710KL@V
R	5903,5905		RC0402JR-078K2L@V

CAPACITORS

C	5001,5015		0603B102K500CT
C	5002,5007,5009,5012		CC0402KRX7R7BB104
C	5003,5006,5008,5011		CC0402KRX7R9BB102
C	5004,5027		0805X226M160CT
C	5005,5016		0603B104K250CT
C	5025,5030,5043-5046		CC0402KRX7R7BB104
C	5026,5035,5048,5049		CC0402KRX7R9BB102
C	5028,5034,5247,5335		0805X106K250CT
C	5036,5507,5907		0603X105K250CT
C	5103,5202,5204,5209		CC0402KRX7R7BB104
C	5104,5326,5345,5401		0402B103K500CT
C	5107		0603X474K160CT
C	5201,5206,5245,5250 (10 uF)		DCH1263
C	5203,5242,5244,5405		CC0402KRX7R9BB102
C	5211,5217,5323,5346		0402N471J500CT
C	5212-5215,5219,5220		CC0402JRNPO9BN470
C	5216,5616		CC0402JRNPO9BN120
C	5221,5228,5237,5243		CC0402KRX7R7BB104
C	5222-5225,5227		CC0402JRNPO9BN470
C	5229-5233,5235,5236		CC0402JRNPO9BN470
C	5238-5241,5352		CC0402JRNPO9BN470
C	5246,5249,5252,5257		CC0402KRX7R7BB104
C	5251,5651		CEVW470M25
C	5253,5653		0402B104K500CT
C	5256,5259,5316,5656		CEVW101M16
C	5262,5264,5267,5269		CC0402KRX7R7BB104
C	5268,5508,5601,5606 (10 uF)		DCH1263
C	5270,5308-5311,5313		CC0402KRX7R7BB104
C	5273,5276,5673,5676		0402N220J500CT
C	5302-5306,5320,5334		0603X475K6R3CT
C	5307,5312,5321,5322		0402B224K160CT
C	5314,5317,5348,5350		CC0402KRX7R7BB104
C	5315,5338,5341,5715		0805X226K6R3CT
C	5319,5719		0402X105K100CT
C	5324,5325,5327,5328		0402B224K160CT
C	5330-5333,5336,5337		0402B224K160CT
C	5339,5340,5702-5706		0603X475K6R3CT
C	5343,5344,5743,5744		CC0402CRNPO9BN5R0
C	5349,5503,5749,5903		0402N102J500CT
C	5402,5404,5647,5735		0805X106K250CT
C	5406-5410,5426,5427		0402B103K500CT
C	5411-5425,5429-5431		0402N471J500CT
C	5432,5505,5602,5604		CC0402KRX7R7BB104
C	5501,5901 (22 uF)		DCH1256
C	5502,5902		CC0402JRNPO9BN101
C	5504,5726,5745,5801		0402B103K500CT
C	5506,5906 (1 uF)		ACE7129
C	5603,5642,5644,5805		CC0402KRX7R9BB102
C	5609,5621,5628,5637		CC0402KRX7R7BB104
C	5611,5617,5723,5746		0402N471J500CT
C	5612-5615,5619,5620		CC0402JRNPO9BN470
C	5622-5625,5627		CC0402JRNPO9BN470
C	5629-5633,5635,5636		CC0402JRNPO9BN470
C	5638-5641,5752		CC0402JRNPO9BN470
C	5643,5646,5649,5652		CC0402KRX7R7BB104
C	5645,5650,5668,5908 (10 uF)		DCH1263

Mark	No.	Description	Part No.
------	-----	-------------	----------

C	5657,5662,5664,5667		CC0402KRX7R7BB104
C	5659,5716		CEVW101M16
C	5669,5670,5708-5711		CC0402KRX7R7BB104
C	5707,5712,5721,5722		0402B224K160CT
C	5713,5714,5717,5748		CC0402KRX7R7BB104
C	5720,5734,5739,5740		0603X475K6R3CT
C	5724,5725,5727,5728		0402B224K160CT
C	5730-5733,5736,5737		0402B224K160CT
C	5738,5741		0805X226K6R3CT
C	5750,5832,5905		CC0402KRX7R7BB104
C	5802,5804		0805X106K250CT
C	5806-5810,5826,5827		0402B103K500CT
C	5811-5825,5829-5831		0402N471J500CT
C	5904		0402B103K500CT

DECK ASSY

Consists of
JLEDA ASSY
JLEDB ASSY
JLEDC ASSY
JOGT ASSY
PLAY ASSY

VWXYZ

SEMICONDUCTORS

IC	7201-7205	74VHC595FT
IC	7206	IS31FL3236AQFLS2
Q	7401,7403,7405,7407	LSAR523UB
Q	7408,7410,7412,7414	LSAR523UB
Q	7416,7417,7419,7421	LSAR523UB
Q	7423,7425,7426	LSAR523UB
Q	7501-7504	LTC023JEB
D	7001,7002,7101,7102	NSSM124F-A21107
D	7201-7237,7239,7240	NHSW146A-A21460
D	7242,7243,7245,7246	NHSW146A-A21460
D	7248	NHSW146A-A21460
D	7249-7257,7259-7285	FC-1608YXK585F08
D	7258,7502	NSSM124F-A21107
D	7501	NHSW157B-A17842

MISCELLANEOUS

S	7501,7502 TACTILE SWITCH	DSG1151
CN	7001,7101 FFC/FPC CONNECTOR	CKS6648
CN	7201,7404 FFC/FPC CONNECTOR	CKS6649
CN	7401,7402 FFC/FPC CONNECTOR	CKS6648
CN	7403 FFC/FPC CONNECTOR	CKS6643
CN	7405 CONNECTOR	CKS1072
CN	7406 FFC/FPC CONNECTOR	CKS6625
CN	7501 CONNECTOR	CKS3853

RESISTORS

R	7001-7006,7101-7106	RC0402JR-0722RL@V
R	7201-7236,7244,7246	RC0402JR-07820RL@V
R	7237-7240,7443	RC0402JR-07100RL@V
R	7241-7243	RC0402JR-0722KL@V
R	7247,7249,7250,7252	RC0402JR-07820RL@V
R	7253,7255	RC0402JR-07820RL@V
R	7256,7258,7260	RC0402JR-0722RL@V
R	7262-7269,7442,7444	RC0402JR-0722RL@V
R	7270	RC0402JR-07100KL@V
R	7271,7273	RC0402JR-074K7L@V

Mark	No.	Description	Part No.
A	R	7272,7274	RC0402JR-078K2L@V
	R	7275	RC0402JR-0727KL@V
	R	7401,7403,7405,7407	RC0603JR-0768RL@V
	R	7402,7404,7406,7408	RC0603JR-070RL@V
	R	7409,7419,7429	RC0603DR-071K8L@V
	R	7410,7420,7430	RC0603JR-07180RL@V
	R	7411,7413,7415,7417	RC0603JR-0768RL@V
	R	7412,7414,7416,7418	RC0603JR-070RL@V
	R	7421,7423,7425,7427	RC0603JR-0782RL@V
	R	7422,7424,7426,7428	RC0603JR-070RL@V
B	R	7501,7502	RC0603JR-07560RL@V
	R	7503,7504,7507,7508	RC0603JR-07820RL@V
	R	7505,7506	RC0603JR-07750RL@V
CAPACITORS			
C	C	7201-7205,7216,7219	CC0402KRX7R7BB104
	C	7206-7210	CC0402JRNPO9BN221
	C	7211-7214	CC0402KRX7R9BB102
	C	7215 (22 uF)	DCH1256
	C	7220	CEVW101M16
	C	7221,7226,7401,7406	CC0402KRX7R7BB104
	C	7223	CC0402JRNPO9BN101
	C	7224	0402N102J500CT
	C	7225,7412,7501,7502	0402B103K500CT
	C	7227 (1 uF)	ACE7129
D	C	7228	0603X105K250CT
	C	7229,7403,7504 (10 uF)	DCH1263
	C	7407,7410,7505	CC0402KRX7R7BB104
	C	7408	CEVW470M16

AD SW POWER SUPPLY

There is no service parts.