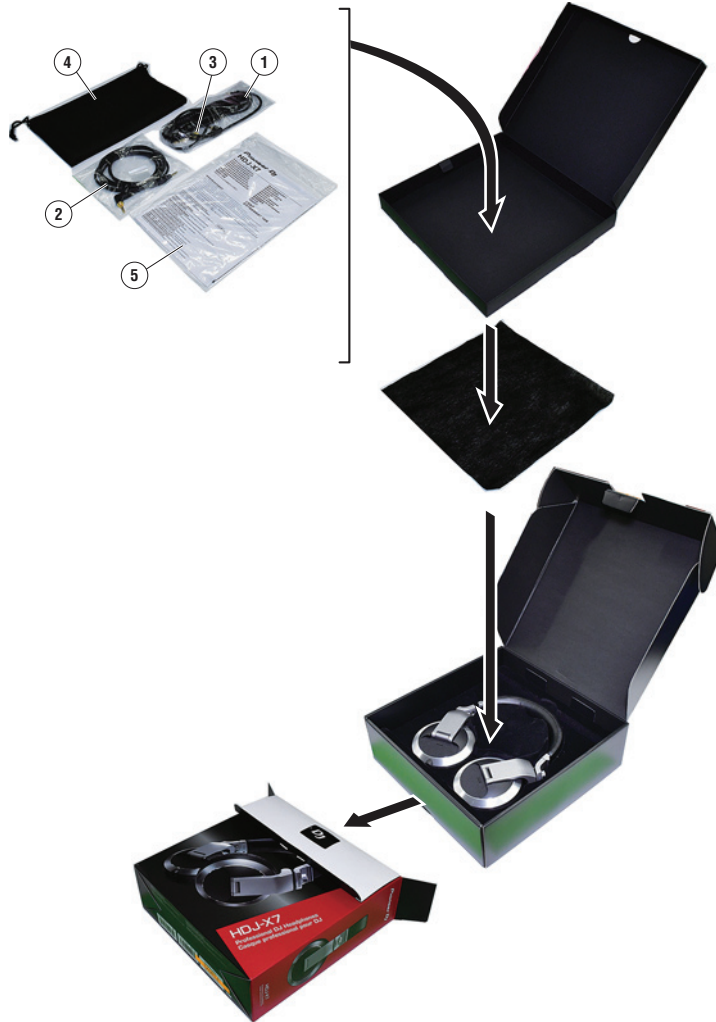


4. EXPLODED VIEWS AND PARTS LIST

- NOTES:
- Parts marked by "NSP" are generally unavailable because they are not in our Master Spare Parts List.
 - The \triangle mark found on some component parts indicates the importance of the safety factor of the part. Therefore, when replacing, be sure to use parts of identical designation.
 - For the applying amount of lubricants or glue, follow the instructions in this manual. (In the case of no amount instructions, apply as you think it appropriate.)

4.1 PACKING SECTION

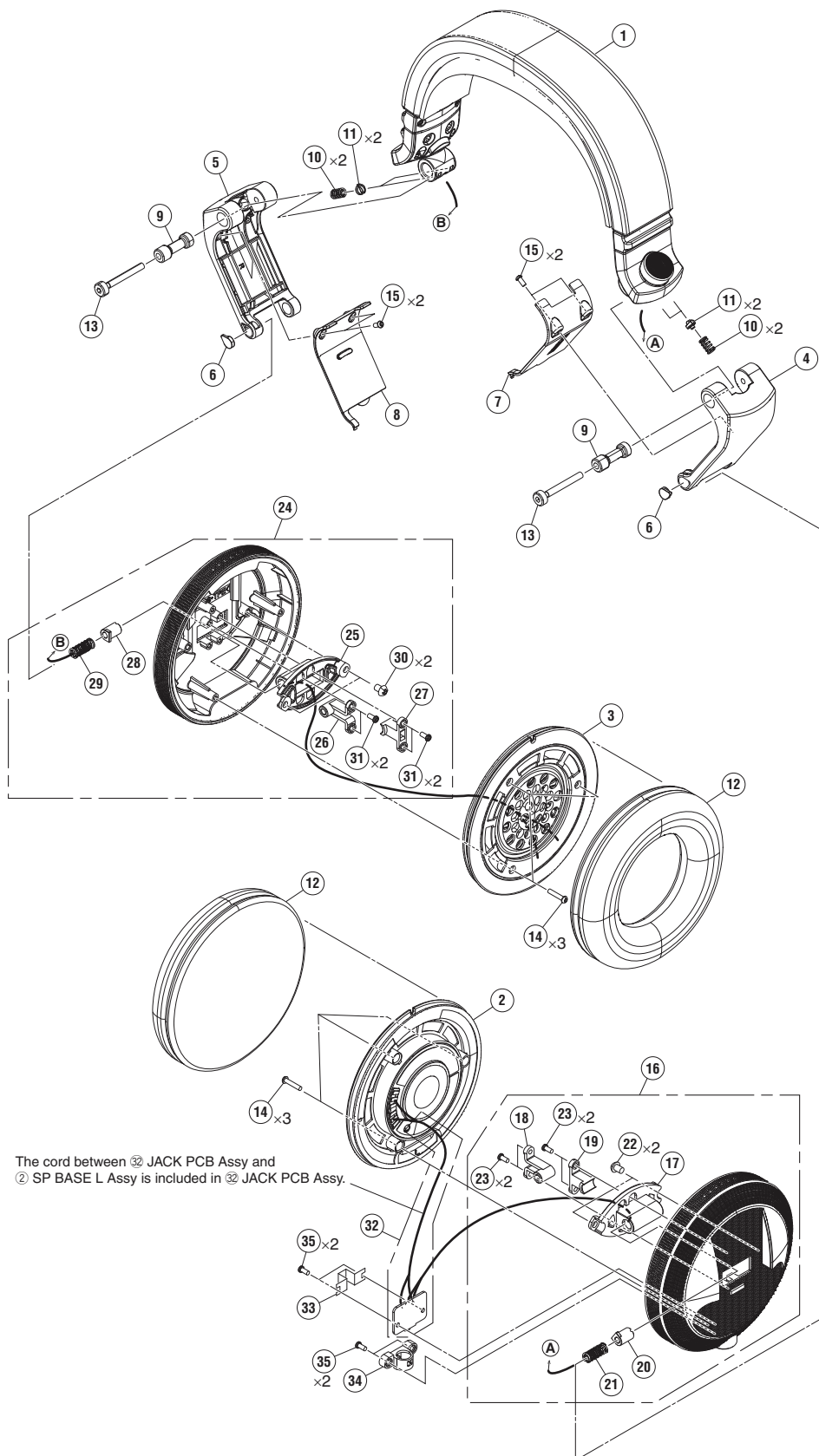


PACKING SECTION PARTS LIST

Mark No.	Description	Part No.
1	1.2 m Coiled Cable (extended length 3.0 m)	900200002872
2	1.6 m Straight Cable	900200002882
3	φ6.3 mm Stereo Plug Adapter (threaded type)	400400000892
NSP 4	Carrying Pouch	•••••
NSP 5	Operating Instructions (En, Fr, De, It, NI, Es, Pt, Ru, Zhcn, Zhtw, Ja)	•••••

5 6 7 8

4.2 EXTERIOR SECTION



(1) EXTERIOR SECTION PARTS LIST

<u>Mark No.</u>	<u>Description</u>	<u>Part No.</u>	<u>Mark No.</u>	<u>Description</u>	<u>Part No.</u>
A	1 Headband Assy	See Contrast table (2)	NSP 21	2.Spring	300100000692
	2 SP Base L Assy	950100002592	NSP 22	2..Conector Screw: T3*L6	300700001351
	3 SP Base R Assy	950100002582	NSP 23	2..Tapping Screw T2*L4	300700001381
	4 Hanger L	See Contrast table (2)	24	1..Housing R Assy	See Contrast table (2)
	5 Hanger R	See Contrast table (2)	NSP 25	2..Case Holder	See Contrast table (2)
	6 Hanger Cap	See Contrast table (2)	NSP 26	2..Clamper	551400004202
	7 Hanger Cover L	See Contrast table (2)	NSP 27	2..Clamper Cover	551400004192
	8 Hanger Cover R	See Contrast table (2)	NSP 28	2..Click Shaft	551400003922
	9 Shaft	301000000362	NSP 29	2..Spring	300100000692
	10 Spring A	300100000151	NSP 30	2..Conector Screw: T3*L6	300700001351
B	11 Click Plate	551400003912	NSP 31	2..Tapping Screw T2*L4	300700001381
	12 Ear Pad	750400001372	32	JACK PCB Assy	950100002662
	13 Bolt&FMachine Screw M3*L26	See Contrast table (2)	33	Jack_Hold_Cover	301800000482
	14 Tapping Screw T2*L8	300700001341	34	Bayonet Lock	551400004242
	15 Machine Screw M2*L4	See Contrast table (2)	35	Tapping Screw T2*L4	300700001381
	16 1..Housing L Assy	See Contrast table (2)			
NSP	17 2..Case Holder	See Contrast table (2)			
NSP	18 2..Clamper	551400004202			
NSP	19 2..Clamper Cover	551400004192			
C	NSP 20 2..Click Shaft	551400003922			

(2) CONTRAST TABLE

HDJ-X7-K/XEGWL and HDJ-X7-S/XEGWL are constructed the same except for the following:

Mark	No.	Symbol and Description	HDJ-X7-K/XEGWL	HDJ-X7-S/XEGWL
D	1	Headband Assy	950100002602	950100002632
	4	Hanger L	301400001162	301800000532
	5	Hanger R	301400001172	301800000542
	6	Hanger Cap	551400003892	551400005142
	7	Hanger Cover L	551400003972	551400005152
	8	Hanger Cover R	551400003982	551400005162
	13	Bolt&FMachine Screw M3*L26	300700002482	300700002522
NSP	15	Machine Screw M2*L4	300700002502	300700002462
	16	Housing L Assy	950100002622	950100002642
	17, 25	Case Holder	551400004012	551400004022
	24	Housing R Assy	950100002612	950100002652