

7. EXPLODED VIEWS AND PARTS LIST

- NOTES:
- Parts marked by “NSP” are generally unavailable because they are not in our Master Spare Parts List.
 - The \triangle mark found on some component parts indicates the importance of the safety factor of the part. Therefore, when replacing, be sure to use parts of identical designation.
 - Screws adjacent to ∇ mark on product are used for disassembly.
 - For the applying amount of lubricants or glue, follow the instructions in this manual. (In the case of no amount instructions, apply as you think it appropriate.)

7.1 PACKING SECTION



(1) PACKING SECTION PARTS LIST

Mark	No.	Description	Part No.	Mark	No.	Description	Part No.
※	1	Headphone Assy	See Contrast table (2)				
	2	USB charging cable (supplied) (0.6 m)	20030330000251E00		4	1.2 m Coiled cable (extended length 1.8 m)	See Contrast table (2)
	3	ø6.3 mm stereo plug adapter (threaded type)	30030150400101D				

※ In the case of battery trouble, exchange the Headphone Assy.
The Ear pads are included in Headphone Assy.

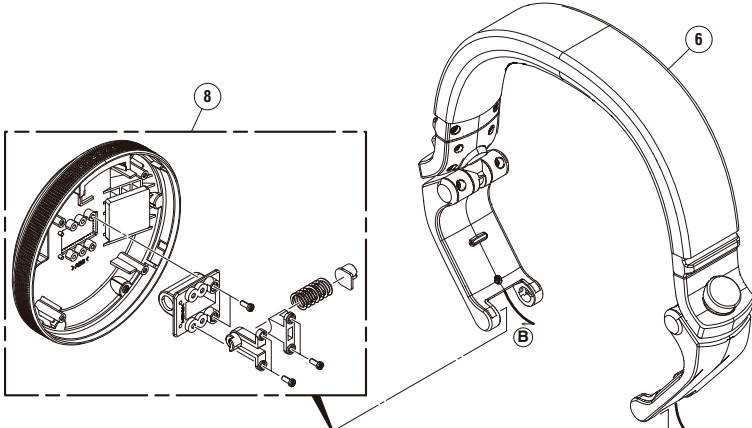
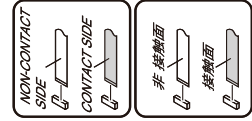
(2) CONTRAST TABLE

HDJ-X5BT-K/XEGWL, HDJ-X5BT-R/XEGWL and HDJ-X5BT-W/XEGWL are constructed the same except for the following:

Mark	No.	Symbol and Description	HDJ-X5BT-K/XEGWL	HDJ-X5BT-R/XEGWL	HDJ-X5BT-W/XEGWL
	1	Headphone Assy	2201016275B0100	2201016275B0300	2201016275B0200
	4	1.2 m Coiled cable (extended length 1.8 m)	20030235000020D01	20030235000033D00	20030235000032D00

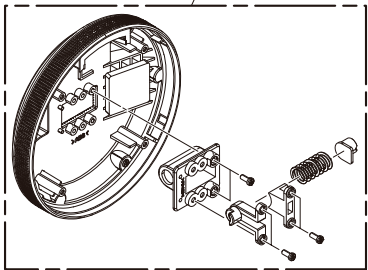
7.2 EXTERIOR SECTION

A



× The cord between ④ BATTERY PCB Assy, Tuning case and ⑩ SP Base R Assy is included in Tuning case. Tuning case (NSP)

B

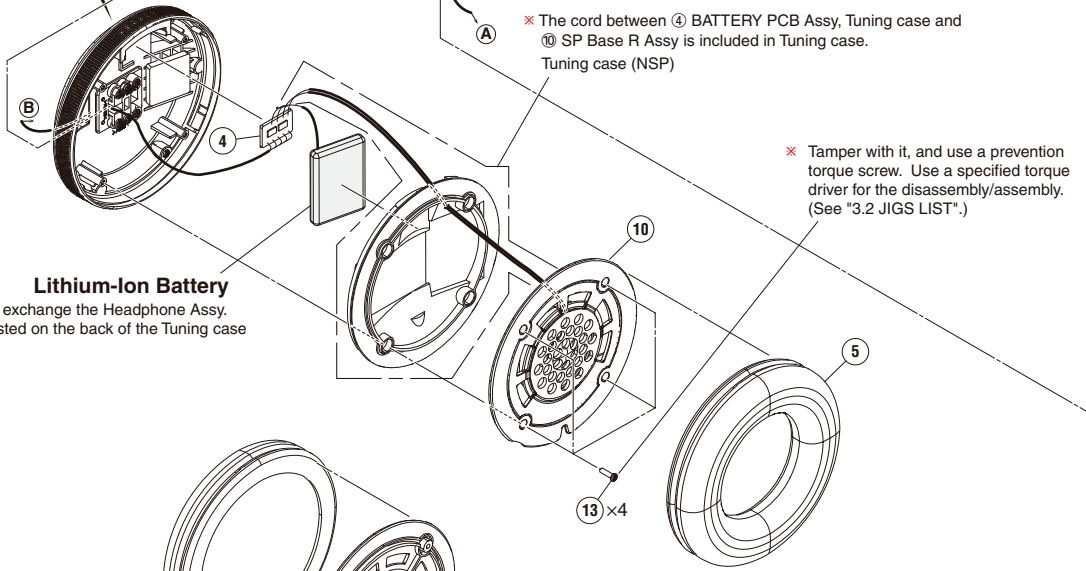


C

Lithium-Ion Battery

× In the case of battery trouble, exchange the Headphone Assy. The Lithium-ion Battery is pasted on the back of the Tuning case with DS tape.

× Tamper with it, and use a prevention torque screw. Use a specified torque driver for the disassembly/assembly. (See "3.2 JIGS LIST".)



D

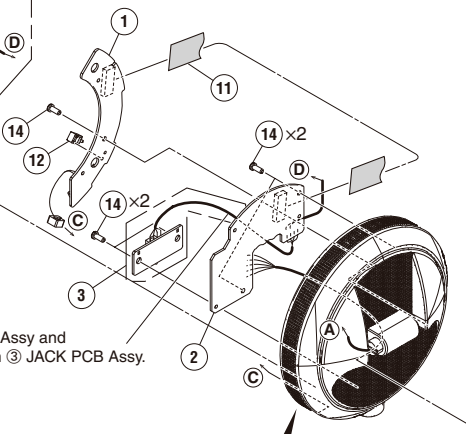
× Tamper with it, and use a prevention torque screw. Use a specified torque driver for the disassembly/assembly. (See "3.2 JIGS LIST".)

Tuning case (NSP)

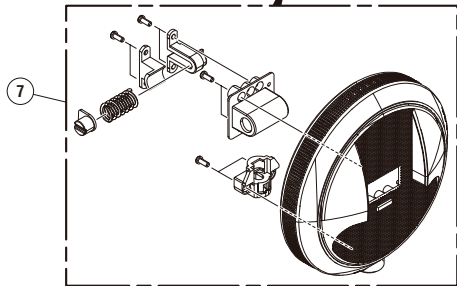
× The cord between ② MAIN PCB Assy, Tuning case and ⑨ SP Base L Assy is included in Tuning case.

× The cord between ③ JACK PCB Assy and ② MAIN PCB Assy is included in ③ JACK PCB Assy.

E



F



(1) EXTERIOR SECTION PARTS LIST

Mark No.	Description	Part No.	Mark No.	Description	Part No.
1	SWITCH PCB Assy	1003046275B0012	11	FFC	300199900046C00
2	MAIN PCB Assy	320601220033C00	12	LED Lens Assy	1003046275B0013
3	JACK PCB Assy	1003046275B0014	13	Screw T2*L8	30030220080011D
4	BATTERY PCB Assy	1003046275B0015	14	Screw T2*L5	30030220050025D
5	Ear Pad	See Contrast table (2)			
6	Headband Assy	See Contrast table (2)			
7	Housing L Assy	See Contrast table (2)			
8	Housing R Assy	See Contrast table (2)			
9	SP Base L Assy	See Contrast table (2)			
10	SP Base R Assy	1003046275B0011			

(2) CONTRAST TABLE

HDJ-X5BT-K/XEGWL, HDJ-X5BT-R/XEGWL and HDJ-X5BT-W/XEGWL are constructed the same except for the following:

Mark No.	Symbol and Description	HDJ-X5BT-K/XEGWL	HDJ-X5BT-R/XEGWL	HDJ-X5BT-W/XEGWL
5	Ear Pad	301001000546D00	301001000535D00	301001000534D00
6	Headband Assy	1003046275B0001	1003046275B0003	1003046275B0002
7	Housing L Assy	1003046275B0004	1003046275B0008	1003046275B0006
8	Housing R Assy	1003046275B0005	1003046275B0009	1003046275B0007
9	SP Base L Assy	1003046275B0010	1003046275B0017	1003046275B0016