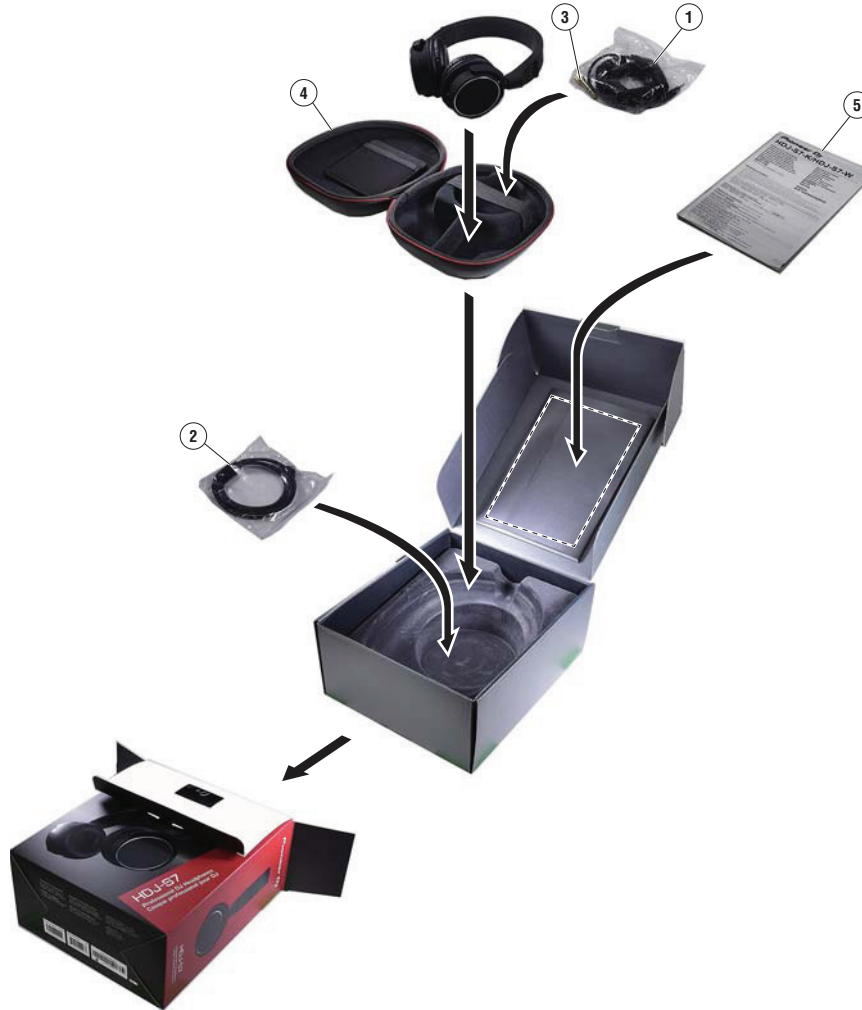


4. EXPLODED VIEWS AND PARTS LIST

- NOTES:
- Parts marked by "NSP" are generally unavailable because they are not in our Master Spare Parts List.
 - The \triangle mark found on some component parts indicates the importance of the safety factor of the part. Therefore, when replacing, be sure to use parts of identical designation.
 - For the applying amount of lubricants or glue, follow the instructions in this manual. (In the case of no amount instructions, apply as you think it appropriate.)

4.1 PACKING SECTION



(1) PACKING SECTION PARTS LIST

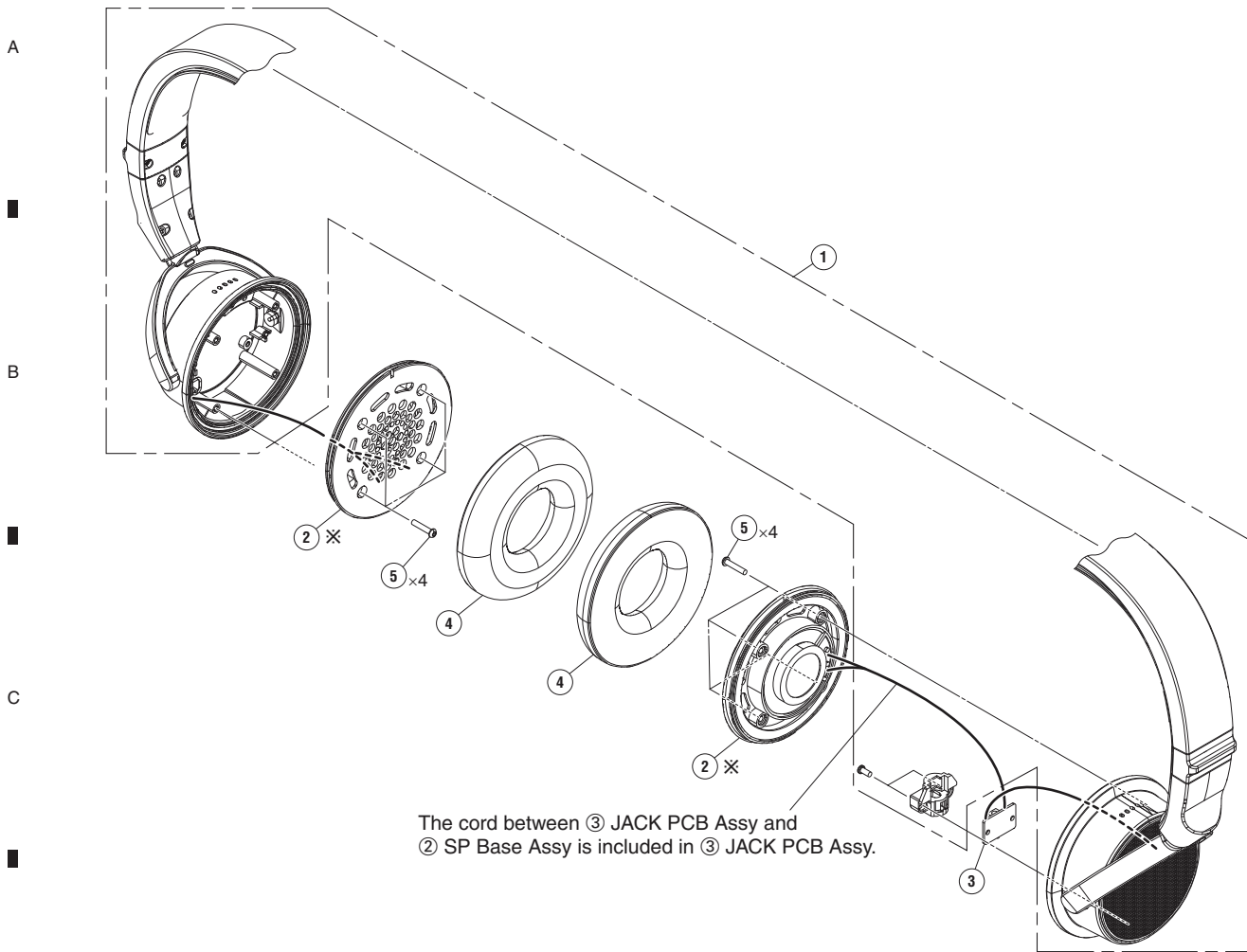
| Mark No. | Description | Part No. | Mark No. | Description | Part No. |
|----------|---|------------------------|----------|------------------------|----------|
| 1 | 1.2 m Coiled Cable (extended length 3.0 m) | See Contrast table (2) | NSP 4 | Carry Case | •••• |
| 2 | 1.6 m Straight Cable | See Contrast table (2) | NSP 5 | Operating Instructions | •••• |
| 3 | 6.3 mm Stereo Plug Adapter (threaded type) | 30030150400101D | | | |

(2) CONTRAST TABLE

HDJ-S7-K/XEGWL and HDJ-S7-W/XEGWL are constructed the same except for the following:

| Mark | No. | Symbol and Description | HDJ-S7-K | HDJ-S7-W |
|------|-----|--|-------------------|-------------------|
| | 1 | 1.2 m Coiled Cable (extended length 3.0 m) | 20030235000021D00 | 20030235000023D00 |
| | 2 | 1.6 m Straight Cable | 20030235000022D00 | 20030235000024D00 |

4.2 EXTERIOR SECTION



(1) EXTERIOR SECTION PARTS LIST

| Mark No. | Description | Part No. |
|----------|---------------|------------------------|
| 1 | Headband Assy | See Contrast table (2) |
| 2* | SP Base Assy | 1003046265T0005 |
| 3 | JACK PCB Assy | 1003046265T0006 |
| 4 | Ear pad | See Contrast table (2) |
| 5 | Screw (T2*L8) | See Contrast table (2) |

* The SP Base Assy is supplied in 2 pieces. Even if only one side fails, be sure to replace both.

(2) CONTRAST TABLE

HDJ-S7-K/XEGWL and HDJ-S7-W/XEGWL are constructed the same except for the following:

| Mark | No. | Symbol and Description | HDJ-S7-K | HDJ-S7-W |
|------|-----|------------------------|-----------------|-----------------|
| | 1 | Headband Assy | 1003046265T0003 | 1003046265T0004 |
| | 4 | Ear pad | 301001000513D00 | 301001000514D00 |
| | 5 | Screw (T2*L8) | 30030220080015D | 30030220080016D |