

9.2 BOTTOM SECTION

A

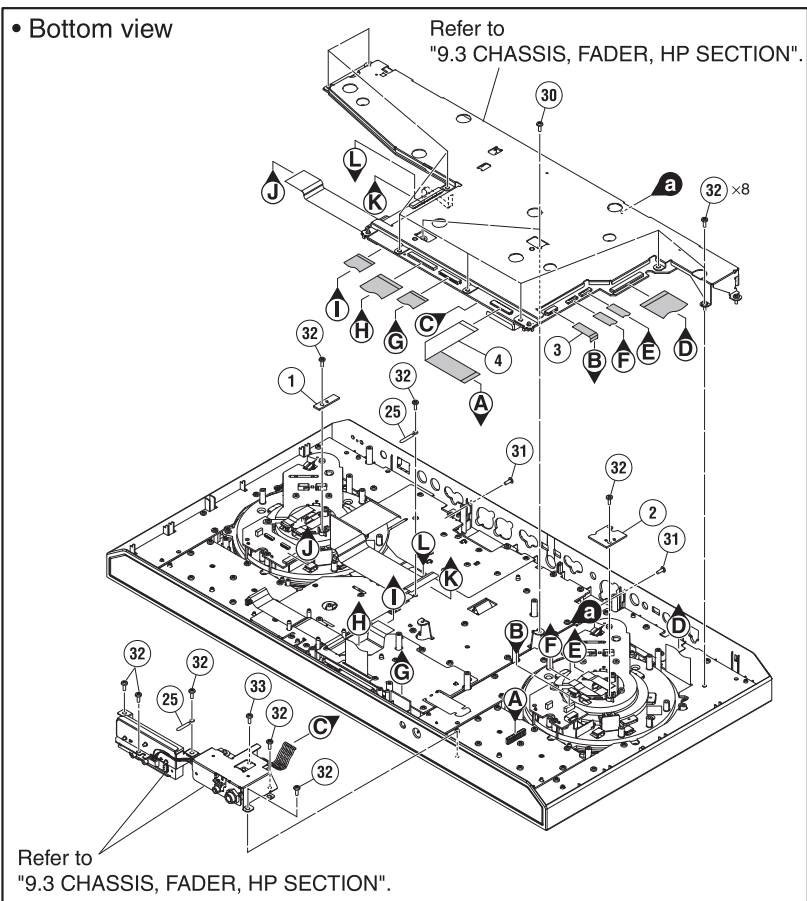
B

C

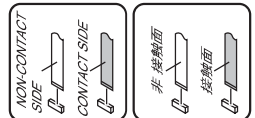
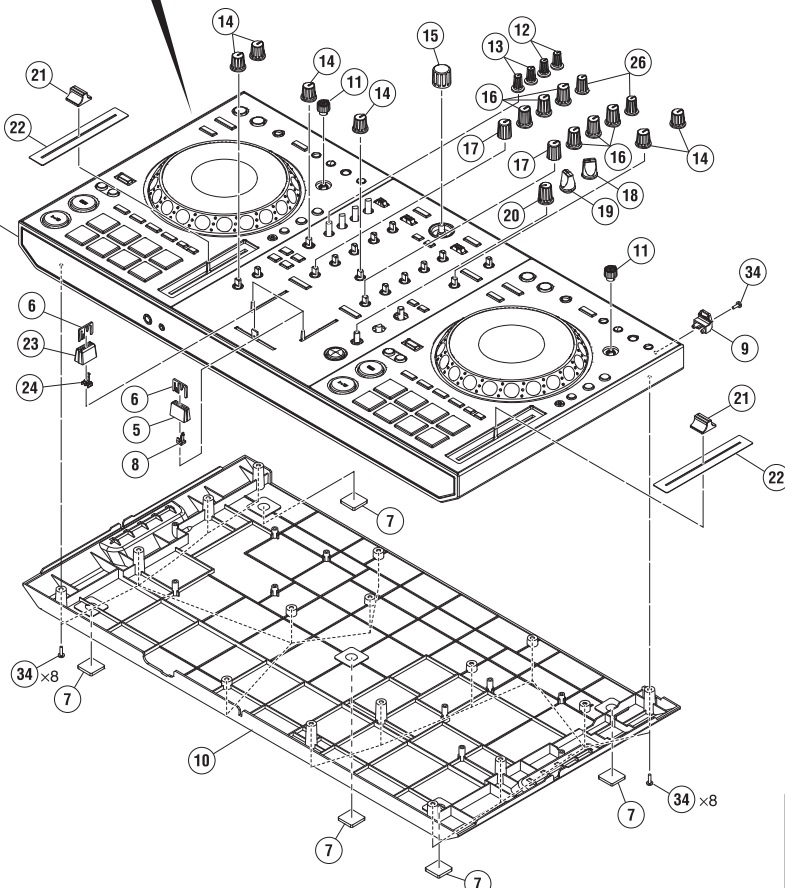
D

E

F



Refer to "9.4 CONTROL PANEL (1/2) SECTION".



BOTTOM SECTION PARTS LIST

<u>Mark No.</u>	<u>Description</u>	<u>Part No.</u>	
1	JOGH Assy	DWX4223	
2	JGLH Assy	DWX4224	A
3	FFC	DDD1888	
4	FFC	DDD1889	
5	Slider Knob 1	DAC2684	
6	Slider Knob 2	DAC2685	
7	Leg	DEC3816	
8	Stopper/SLD	DNK6009	
9	Hook	DNK6755	
⚠ 10	Chassis	DNK6814	
11	Knob/CFC	DAA1326	B
12	Knob	DAA1395	
13	Knob	DAA1396	
14	Knob	DAA1360	
15	Dial Knob	DAA1246	
16	Knob	DAA1361	
17	Knob	DAA1366	
18	Select Knob	DAA1205	
19	FX Sel Knob	DAA1213	
20	Knob	DAA1368	C
21	Knob/SLD	DNK5981	
22	Slide Sheet 1C	DAH2404	
23	Knob	DAC3238	
24	Stopper	DNK6440	
25	Cord Clamper (Steel)	RNH-184	
26	Knob	DAA1441	
27	•••••		
28	•••••		
29	•••••		
30	Screw	BBZ30P060FTC	D
31	Screw	BBZ30P080FTB	
32	Screw	BPZ30P080FNI	
33	Screw	BPZ30P100FTB	
34	Screw	BPZ30P120FTB	

9.3 CHASSIS, FADER, HP SECTION

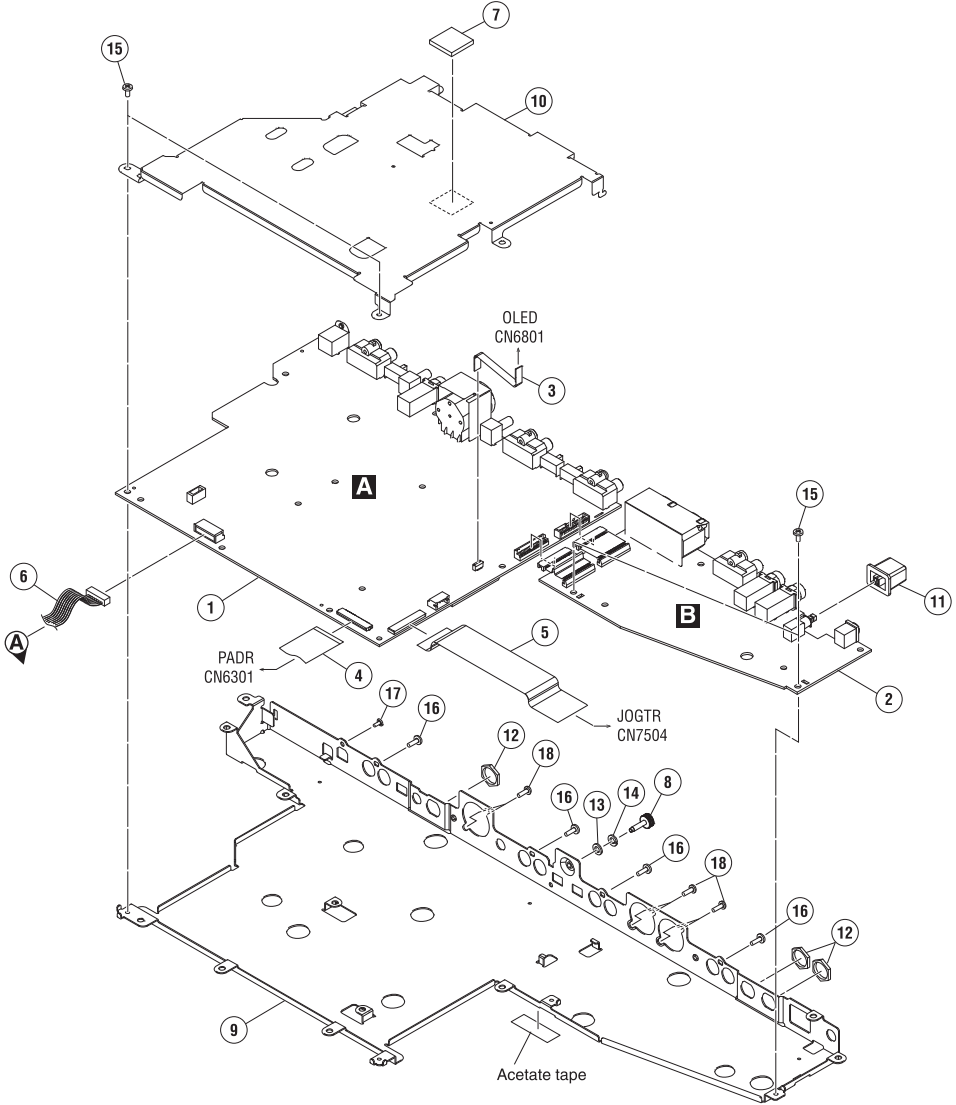
1

2

3

4

A ● Chassis Section

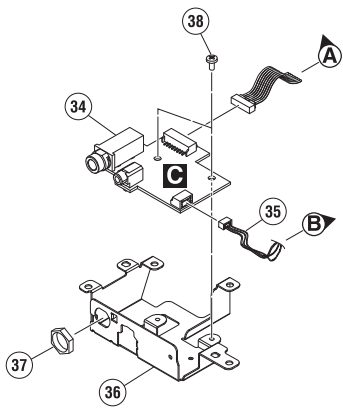


B

C

D

● HP Section



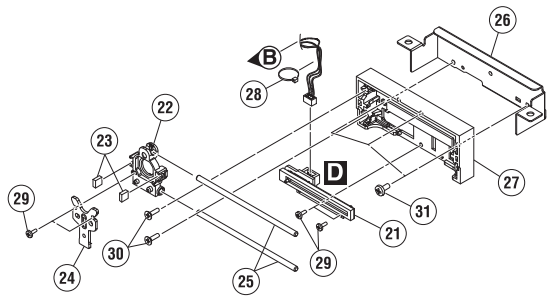
E

F

● Fader Section

Refer to "7. DISASSEMBLY"

 Lubricating oil (GYA1001)



1

2

3

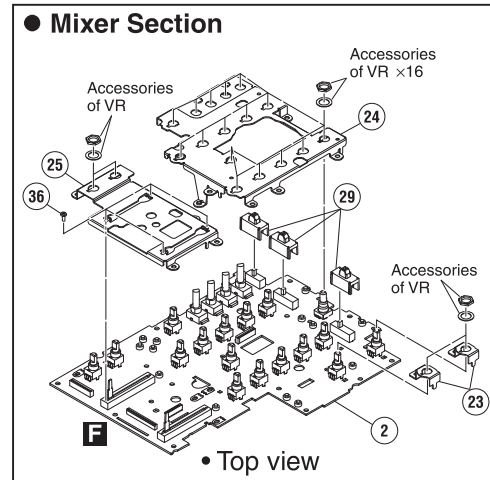
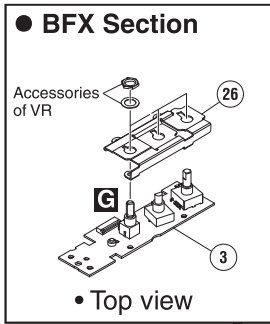
4

CHASSIS, FADER, HP SECTION PARTS LIST

<u>Mark No.</u>	<u>Description</u>	<u>Part No.</u>	
CHASSIS SECTION			
1	MAIN Assy	DWX4194	A
2	AOUT Assy	DWX4200	
3	FFC	DDD1892	
4	FFC	DDD1893	
5	FFC	DDD1895	
6	Connector Assy	PF07PP-C05	
7	Cushion	DEC3830	
8	Earth Terminal	DKE1015	
9	Stay	DNH3388	
10	Shield Plate	DNH3398	B
11	Power Knob	DAC2306	
12	Nut (M12)	NKX2FNI	
13	Washer	WA32F100Q050	
14	Spring Lock Washer	WS40FNI	
15	Screw	BBZ30P060FTC	
16	Screw	BPZ30P080FTB	
17	Screw (M3*5)	DBA1340	
18	Screw	PPZ30P080FTB	
19		C
20		
FADER SECTION			
21	CRFD Assy	DWX4206	
22	Slider	DNK6426	
NSP 23	Cushion	DEC3356	
24	Lever	DNH3211	
25	Guide Bar	VLL1514	
26	Stay	DNF2053	
27	Holder	DNK6425	D
28	Cable Tie	ZCA-SKB90BK	
29	Screw	BPZ20P050FTC	
30	Screw	CPZ26P080FTC	
31	Screw	BBZ30P060FTC	
32		
33		
HP SECTION			
34	HPJK Assy	DWX4203	
35	Connector Assy	PF03PP-B07	E
36	Stay	DNH3389	
37	Nut M12	DBN1018	
38	Screw	BBZ30P060FTC	

9.4 CONTROL PANEL (1/2) SECTION

A • Bottom view



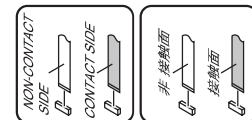
Refer to "9.6 JOG DIAL (1/2) SECTION".

Refer to "9.6 JOG DIAL (1/2) SECTION".

Refer to "9.5 CONTROL PANEL (2/2) SECTION".

*: Be sure to use two sheets (DEC3672) in a stack. Because the feeling of operation changes only with one sheet.

*: シート (DEC3672) は必ず 2 枚重ねて使用してください。1 枚だけだと操作感が変わってしまいます。



CONTROL PANEL (1/2) SECTION PARTS LIST

<u>Mark No.</u>	<u>Description</u>	<u>Part No.</u>	
1	OLED Assy	DWX4208	
2	MXRB Assy	DWX4195	A
3	BFXB Assy	DWX4196	
4	DCKL Assy	DWX4199	
5	DCKR Assy	DWX4201	
6	PADL Assy	DWX4204	
7	PADR Assy	DWX4205	
8	LVMT Assy	DWX4207	
9	OLED Assy (Service)	DEA1084	
10	FFC	DDD1885	
11	FFC	DDD1890	B
12	FFC	DDD1891	
13	FFC	DDD1894	
14	FFC	DDD1896	
15	FFC	DDD1897	
16	Sheet	DEC3672	
17	Sheet	DEC3673	
18	•••••		
19	Shield Sheet	DEC3812	
20	Shield Sheet	DEC3819	C
21	Sheet	DEC3817	
22	Sheet	DEC3818	
23	Stay	DNF2039	
24	Stay	DNH3385	
25	Stay	DNH3386	
26	Stay	DNH3387	
27	Packing	DEC3642	
28	Sheet	DEC3795	
29	SW Cap	DAC2753	D
30	Button	DEB2035	
31	•••••		
32	•••••		
33	Screw	BPZ20P040FTB	
34	Screw	BPZ30P080FNI	
35	Screw	BPZ30P100FTB	
36	Screw	PMH20P040FTC	E

9.5 CONTROL PANEL (2/2) SECTION

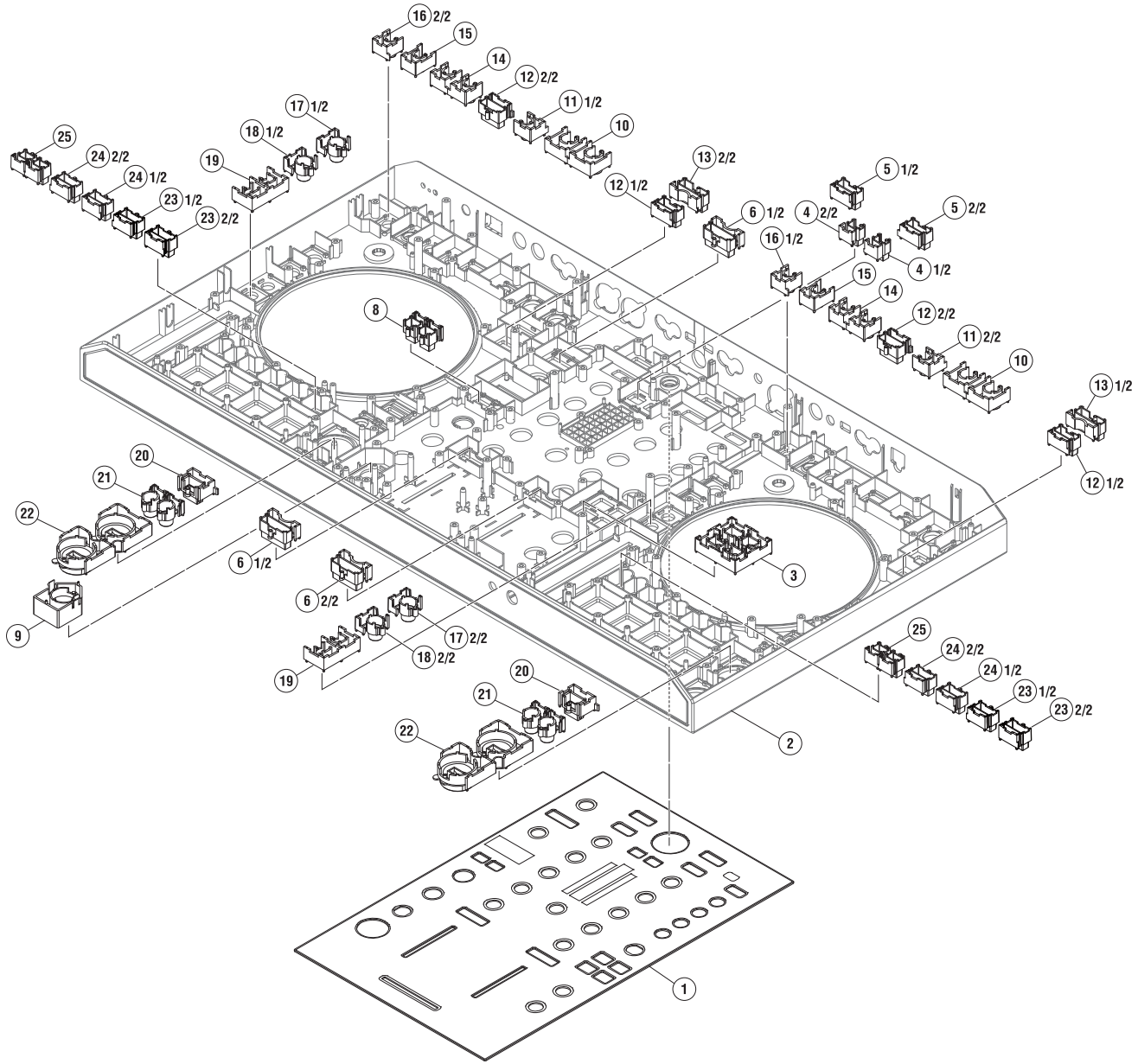
1

2

3

4

A • Bottom view



D

E

F

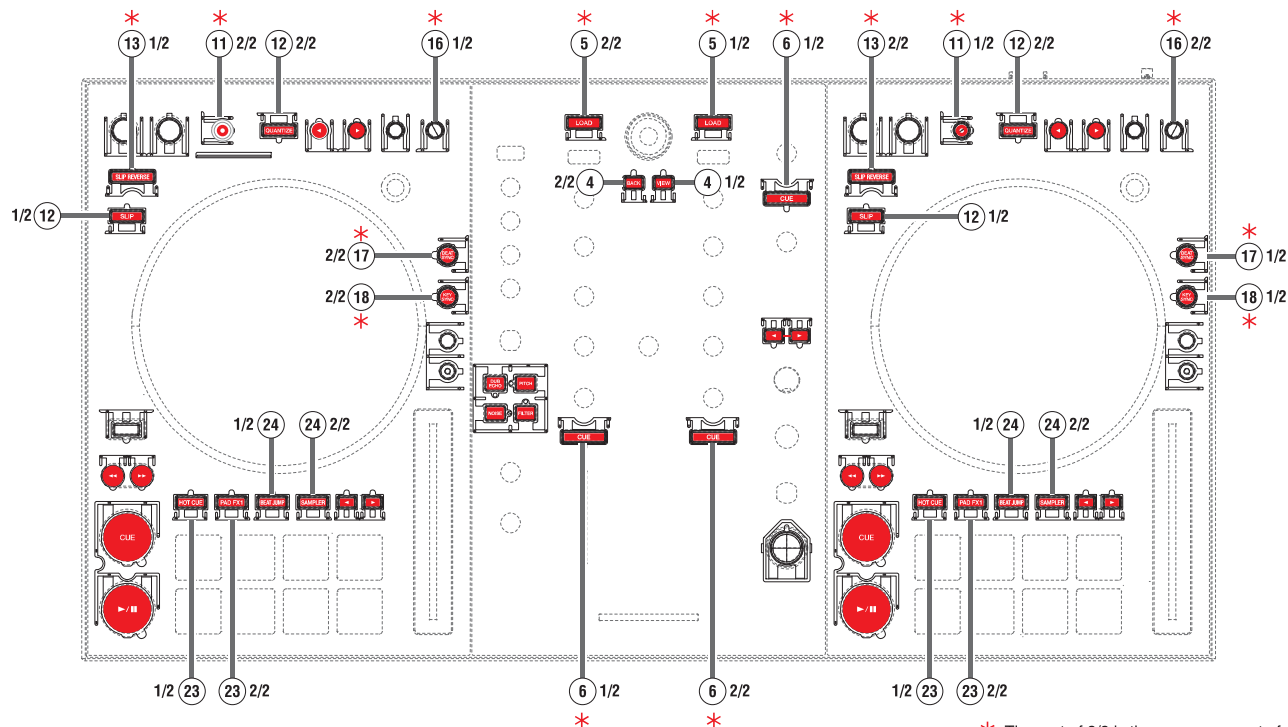
1

2

3

4

•The position of the divided parts / 分割部品の取り付け位置



*: The part of 2/2 is the same as a part of 1/2.
You may use which.

*: 部品の 1/2 と 2/2 は同じものです。
どちらを使用しても構いません。

CONTROL PANEL (2/2) SECTION PARTS LIST

Mark No.	Description	Part No.	Mark No.	Description	Part No.
1	Plate	DAH3224	16	Button/TMP	DAC2845
2	Control Panel	DNK6813	17	Button	DAC3369
3	Button	DAC3426	18	Button	DAC3432
4	Button	DAC3427	19	Button	DAC3146
5	Button	DAC3428	20	Button	DAC3288
6	Button	DAC3219	21	Button	DAC3363
7	•••••		22	Button	DAC3433
8	Button	DAC3372	23	Button	DAC3434
9	Button	DAC3141	24	Button	DAC3435
10	Button/LOP	DAC3074	25	Button	DAC3436
11	Button/MT	DAC2875			
12	Button	DAC3430			
13	Button	DAC3359			
14	Button/CAL	DAC3020			
15	Button/DLT	DAC3021			

9.6 JOG DIAL (1/2) SECTION

• Bottom view

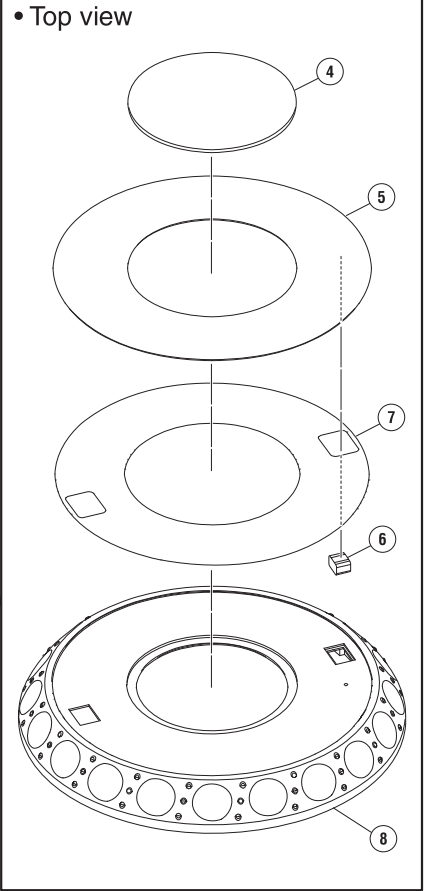
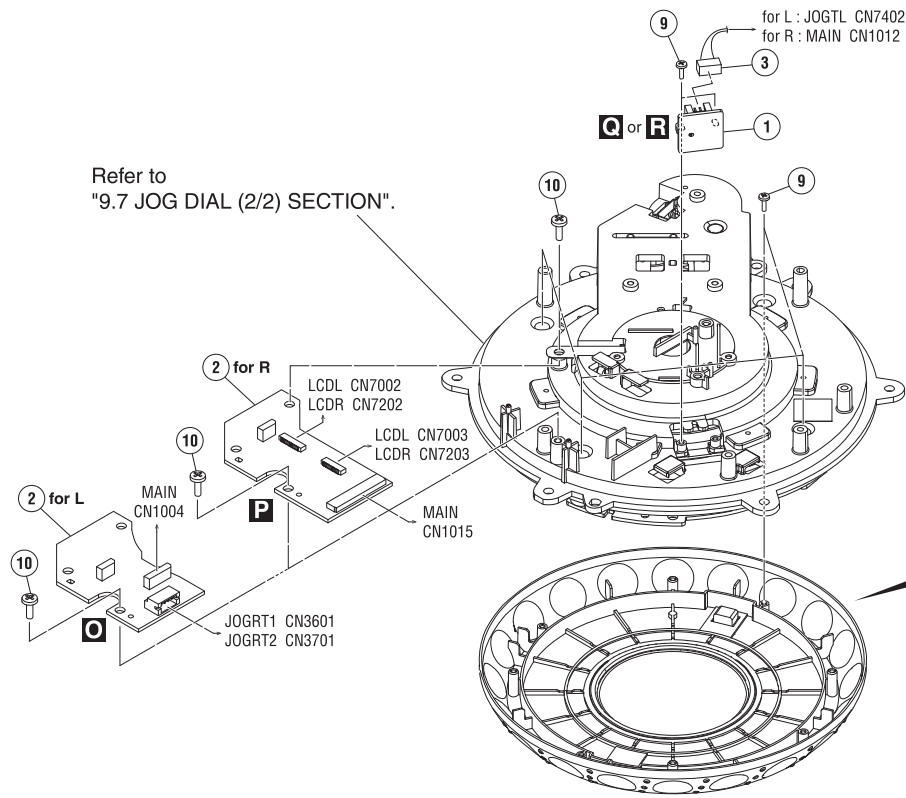
A

B

C

D

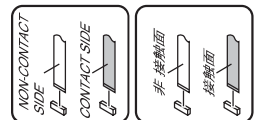
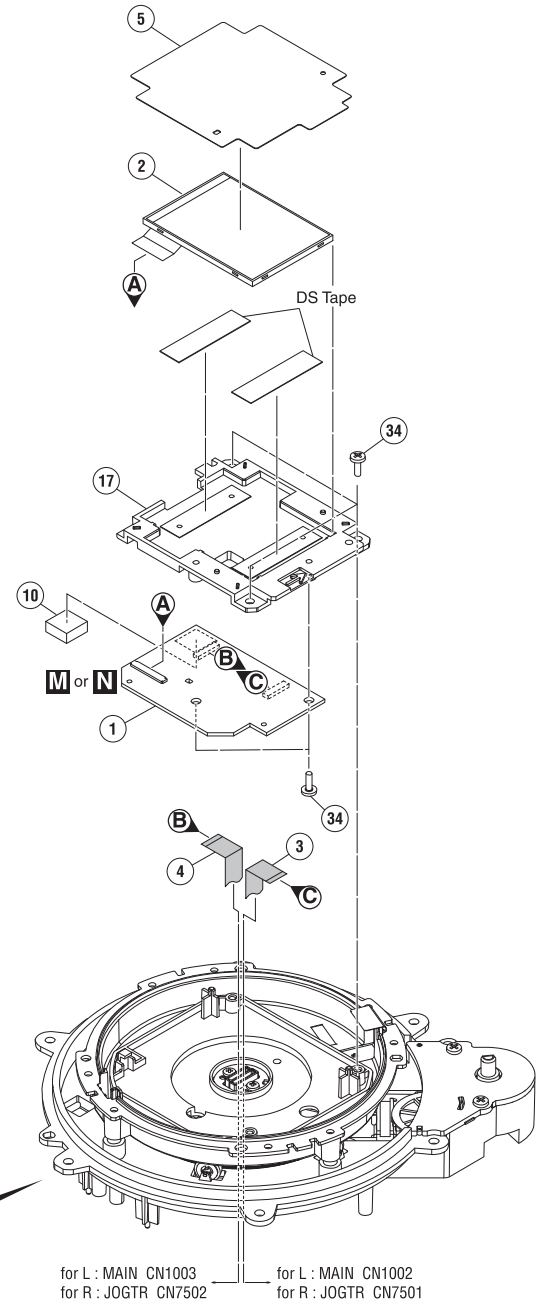
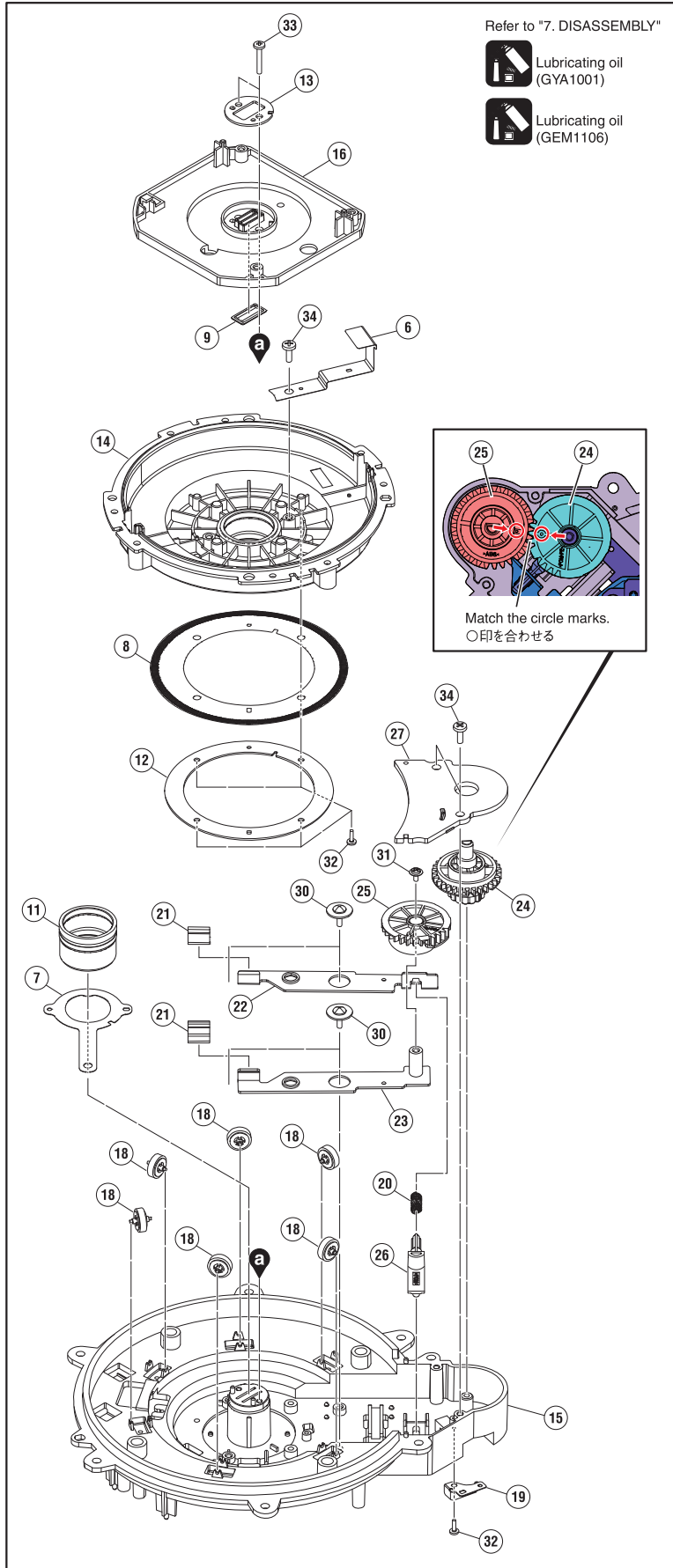
F



JOG DIAL (1/2) SECTION PARTS LIST

Mark No.	Description	Part No.
1	JOGRT1 Assy	DWX4197
1	JOGRT2 Assy	DWX4198
2	JOGTL Assy (for L)	DWX4211
2	JOGTR Assy (for R)	DWX4212
3	Connector Assy (for R)	PF04PP-B17
3	Connector Assy (for L)	PF04PP-B15
4	Window	DAH3233
5	Plate	DAH3234
6	Gasket/JOG	DEC3562
7	DS Tape	DEH1096
8	JOG Dial	DNK6822
9	Screw	BPZ20P060FTC
10	Screw	BPZ30P080FTC

9.7 JOG DIAL (2/2) SECTION



JOG DIAL (2/2) SECTION PARTS LIST

Mark No.	Description	Part No.
A	1 LCDL Assy	DWX4209
	1 LCDR Assy	DWX4210
	2 TFT LCD	DWX4226
	3 FCC (for L)	DDD1911
	3 FCC (for R)	DDD1886
B	4 FCC (for L)	DDD1912
	4 FCC (for R)	DDD1887
	5 Sheet (for L)	DEC3815
	5 Sheet (for R)	DEC3832
	6 Leaf Spring	DBK1391
C	7 Leaf Spring	DBK1392
	8 Slit/JOG	DEC3515
	9 Packing	DEC3820
	10 Cushion	DEC3831
	11 Shaft	DLA2266
D	12 Bracket/SLT	DNH3168
	13 Cover	DNH3391
	14 JOG Dial	DNK6820
	15 Base	DNK6821
	16 Holder	DNK6829
E	17 Holder	DNK6830
	18 Roller	DXB2178
	19 Leaf Spring	DBK1393
	20 Coil Spring	DBH1823
	21 Felt	DED1188
F	22 Lever	DNH3392
	23 Lever	DNH3393
	24 Gear	DNK6823
	25 Cam	DNK6824
	26 Pin	DNK6825
G	27 Cover	DNK6826
	28	
	29	
	30 DM Screw (FTC)	DBA1260
	31 Screw	AMZ30P060FTC
H	32 Screw	BPZ20P060FTC
	33 Screw	BPZ26P160FTC
	34 Screw	BPZ30P080FTC