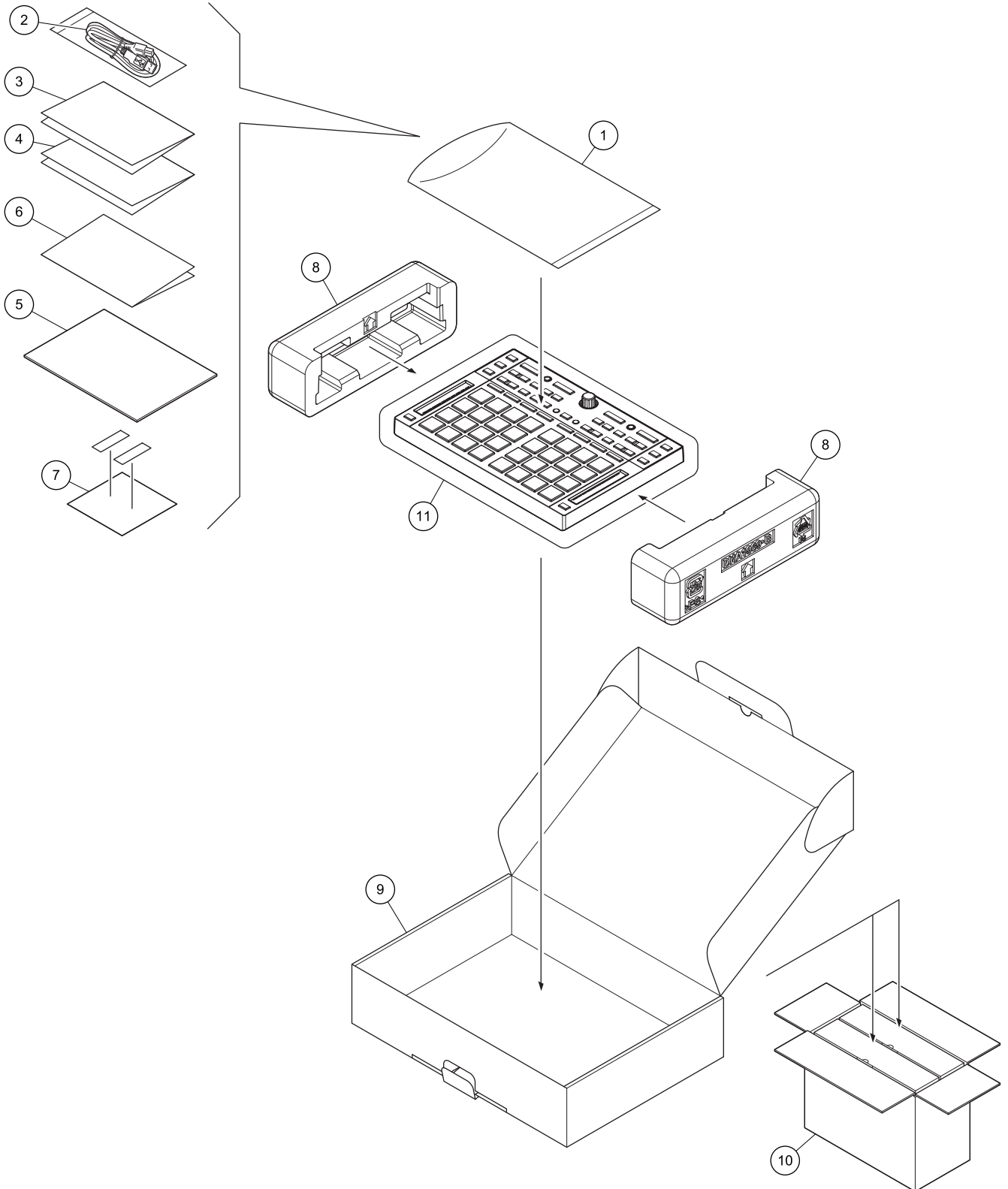


9. EXPLODED VIEWS AND PARTS LIST

- NOTES:
- Parts marked by "NSP" are generally unavailable because they are not in our Master Spare Parts List.
 - The \triangle mark found on some component parts indicates the importance of the safety factor of the part. Therefore, when replacing, be sure to use parts of identical designation.
 - Screws adjacent to ∇ mark on product are used for disassembly.
 - For the applying amount of lubricants or glue, follow the instructions in this manual. (In the case of no amount instructions, apply as you think it appropriate.)

9.1 PACKING SECTION



(1) PACKING SECTION PARTS LIST

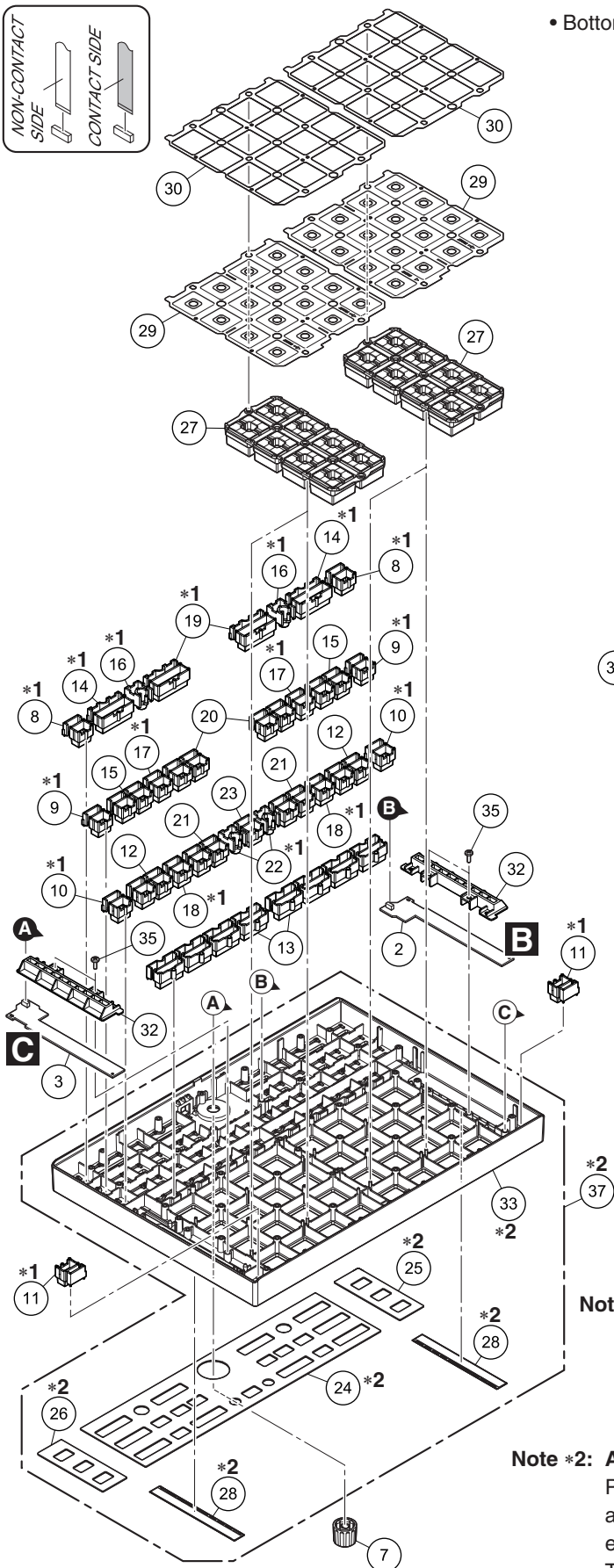
<u>Mark No.</u>	<u>Description</u>	<u>Part No.</u>
A	NSP 1 Polyethylene Bag	AHG7117
	2 USB Cable	DDE1140
	NSP 3 Leaflet	See Contrast table (2)
	NSP 4 Leaflet	DRH1432
	5 Operating Instructions (Quick Start Guide)	See Contrast table (2)
B	NSP 6 Warranty	See Contrast table (2)
	NSP 7 Leaflet	DRM1419
	8 Pad	DHA1969
	9 Packing Case	See Contrast table (2)
	10 Master Carton	See Contrast table (2)
	11 Mirror Mat	DHL1204

(2) CONTRAST TABLE

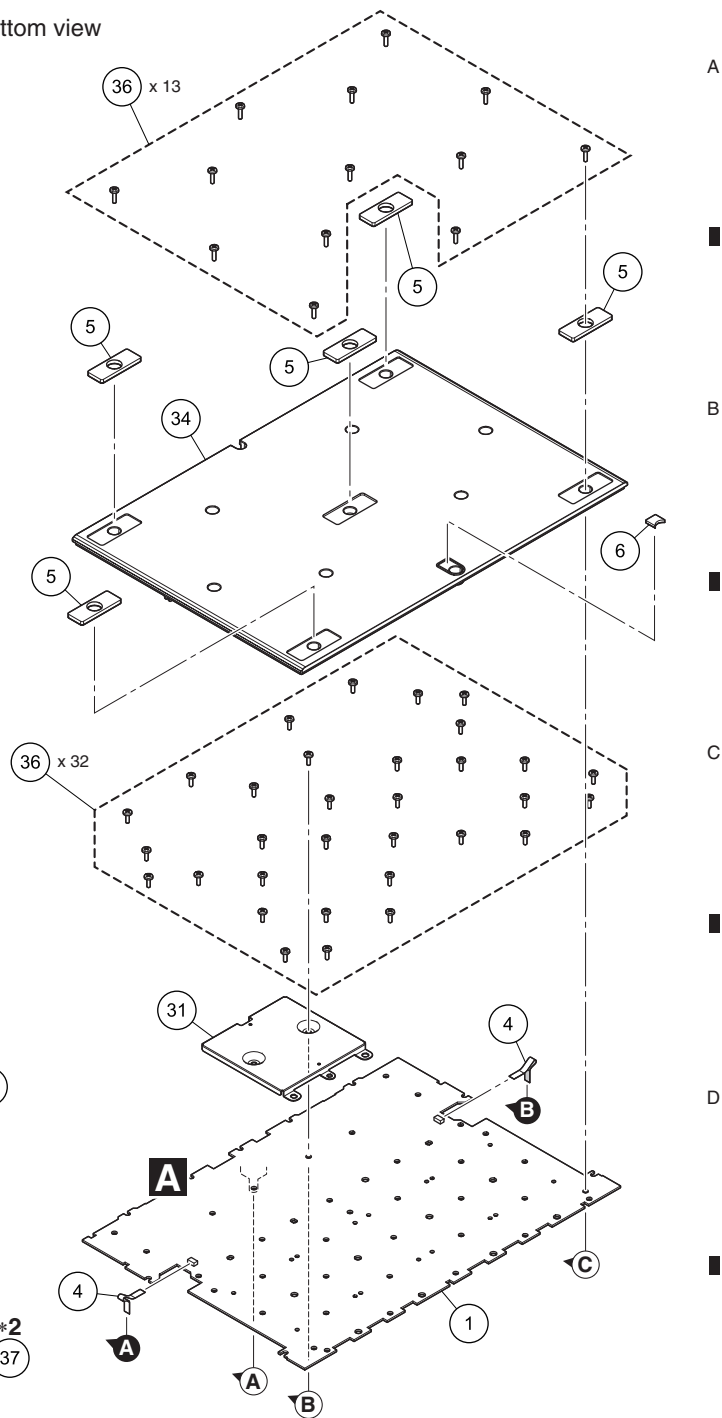
SYXJ and XJCN are constructed the same except for the following:

Mark	No.	Symbol and Description	SYXJ	XJCN
C	NSP 3	Leaflet	DRH1431	Not used
	5	Operating Instructions (Quick Start Guide)	DRH1459	DRH1460
	NSP 6	Warranty	DRY1270	Not used
	9	Packing Case	DHG3580	DHG3582
	10	Master Carton	DHG3581	DHG3583

9.2 MAIN SECTION



• Bottom view



Note *1: Button No. 8, 9, 10, 11, 14, 16, 17, 18, 19 and 22 are supplied in connected pairs. Split each pair before use. Refer to "[1] Buttons Location" of 7. DISASSEMBLY, including the placement of Buttons.

Note *2: About Removal/Attachment of the Panels (Acrylic Panels) Panels (Acrylic Panels: No. 24, 25 and 26) and Sheets No. 28 are adhered to the Control Panel with double-sided tapes over entire surfaces, and are difficult to remove. They must be replaced as a whole unit of the DDJ-XP1 Panel Service ASSY No. 37.

MAIN SECTION PARTS LIST

<u>Mark No.</u>	<u>Description</u>	<u>Part No.</u>	<u>Mark No.</u>	<u>Description</u>	<u>Part No.</u>
A	1 MAIN ASSY	DWX4100	21	Button	DAC3342
	2 CDCL ASSY	DWX4130	22	Button	DAC3344
	3 CDCR ASSY	DWX4131	23	Button	DAC3345
	4 FFC	DDD1847	NSP 24	Panel	DAH3171
	5 Foot	DEC3759	NSP 25	Panel	DAH3172
	6 Cushion	DEC3778	NSP 26	Panel	DAH3173
	7 Knob	DAA1384	27	Button	DEB2059
	8 Button	DAC3328	NSP 28	Sheet	DEC3756
	9 Button	DAC3329	29	Sheet	DEC3757
	10 Button	DAC3330	30	Spacer	DEC3758
B	11 Button	DAC3331	31	Plate	DNH3335
	12 Button	DAC3332	32	Holder	DNK6732
	13 Button	DAC3333	NSP 33	Control Panel	DNK6730
	14 Button	DAC3334	34	Chassis	DNK6731
	15 Button	DAC3335	35	Screw	BPZ30P080FNI
	16 Button	DAC3336	36	Screw	BPZ30P120FTB
	17 Button	DAC3337	37	DDJ-XP1 Panel Service ASSY	DEA1075
	18 Button	DAC3338			
	19 Button	DAC3339			
C	20 Button	DAC3340			

Mark	No.	Description	Part No.	Mark	No.	Description	Part No.
A	Q	1211,1212,1213 Bipolar TR	HN1A01FUS1	D	201	Rectifier Diode	DA2J101
	Q	1214 Resistor Built-IN TR	LTC023JEB	D	1057,1058,1059,1060,1061	LED	NSSM124F-A21107
	Q	1215 Resistor Built-IN TR	LTC023JEB	D	1070,1071,1072,1073,1074	LED	NSSM124F-A21107
	Q	1216 Resistor Built-IN TR	LTC023JEB	D	1075,1076,1077,1078,1079	LED	NSSM124F-A21107
	Q	1217,1218,1219 Bipolar TR	HN1A01FUS1	D	1080,1081,1082,1083,1084	LED	NSSM124F-A21107
	Q	1220,1221,1222 Bipolar TR	HN1A01FUS1	D	1085,1086,1087,1088,1089	LED	NSSM124F-A21107
	Q	1223,1224 Bipolar TR	HN1A01FUS1	D	1092,1093,1094,1095,1096	LED	NSSM124F-A21107
	Q	1225 Resistor Built-IN TR	LTC023JEB	D	1105,1106,1107,1108,1109	LED	NSSM124F-A21107
	Q	1226 Resistor Built-IN TR	LTC023JEB	D	1113,1114,1115,1116,1117	LED	NSSM124F-A21107
	Q	1227 Resistor Built-IN TR	LTC023JEB	D	2003,2004	Rectifier Diode	DAN202UM
B	Q	1228 Resistor Built-IN TR	LTC023JEB	D	2012,2013	Rectifier Diode	DAN202UM
	Q	1229 Resistor Built-IN TR	LTC023JEB	D	2021,2022	Rectifier Diode	DAN202UM
	Q	1230 Resistor Built-IN TR	LTC023JEB	D	2024,2026	Rectifier Diode	DAN202UM
	Q	2001,2002,2003 Transistor	LTC124EUB	D	2027,2043	Rectifier Diode	DAN202UM
	Q	2004,2005,2006 Transistor	LTC124EUB	D	2044,2048	Rectifier Diode	DAN202UM
	Q	2007,2008,2009 Transistor	LTC124EUB	D	2049,2056	Rectifier Diode	DAN202UM
	Q	2010,2011,2012 Transistor	LTC124EUB	D	2057,2058	Rectifier Diode	DAN202UM
	Q	2013,2014,2015 Transistor	LTC124EUB	D	2059,2060	Rectifier Diode	DAN202UM
	Q	2016,2017,2018 Transistor	LTC124EUB	D	2069,2070	Rectifier Diode	DAN202UM
	Q	2019,2020,2021 Transistor	LTC124EUB	D	2071,2072	Rectifier Diode	DAN202UM
C	Q	2022,2023,2024 Transistor	LTC124EUB	D	2073	Rectifier Diode	DAN202UM
	Q	2025,2026,2027 Transistor	LTC124EUB	D	3001,4001	Zener Diode	DZ2J056M0
	Q	2028,2029,2030 Transistor	LTC124EUB	D	5005,5010,5012,5013,5018	LED	FC-F1608BAK5
	Q	2031,2032,2033 Transistor	LTC124EUB	D	5011,5044,5045	White LED	NHSW157B-A13072
	Q	2034,2035,2036 Transistor	LTC124EUB	D	5019,5024,5025,5030,5031	LED	FC-F1608BAK5
	Q	2037,2038 Transistor	LTC124EUB	D	5036,5037,5042,5043,5048	LED	FC-F1608BAK5
	Q	5001,5003,5007 Bipolar TR	LSAR523UB	D	5051,5062,5075,5080,5084	LED	FC-F1608BAK5
	Q	5008,5010,5012 Bipolar TR	LSAR523UB	D	5053,5056,5061,5064	Red LED	FC-1608SXXK630D08
	Q	5011 Resistor Built-IN TR	RN1903S1	D	5057,5060,5063,5070,5073	LED	FC-1608YEK-589C
	Q	5016,5017,5018 Bipolar TR	LSAR523UB	D	5066,5069,5074,5077	Red LED	FC-1608SXXK630D08
D	Q	5020,5025,5026 Bipolar TR	LSAR523UB	D	5076,5107,5108,5109,5110	LED	FC-1608YEK-589C
	Q	5022,5038,5047 Transistor	2SAR502UB	D	5083	White LED	NHSW157B-A13072
	Q	5027,5029,5033 Bipolar TR	LSAR523UB	D	5087,5090,5093,5096,5099	LED	FC-F1608BAK5
	Q	5034,5035,5037 Bipolar TR	LSAR523UB	D	5102	LED	FC-F1608BAK5
	Q	5042,5043,5045 Bipolar TR	LSAR523UB	D	5103,5104	Rectifier Diode	DA2J101
	Q	5044 Resistor Built-IN TR	RN1903S1	D	5105,5106	Rectifier Diode	DA2J101
	Q	5049,5050,5059 Bipolar TR	LSAR523UB	D	5111,5112,5115,5116,5117	LED	FC-1608YEK-589C
	Q	5052,5054,5055 Transistor	2SAR502UB	D	5113,5114,5119,5120	Red LED	FC-1608SXXK630D08
	Q	5053 Resistor Built-IN TR	RN1903S1	D	5118	LED	FC-1608YEK-589C
	Q	5056 Resistor Built-IN TR	RN1903S1	MISCELLANEOUS			
E	Q	5057,5062,5082 Transistor	2SAR502UB	L	104	Coil	ATH7015
	Q	5060,5064,5065 Bipolar TR	LSAR523UB	L	201,202	SMD SPL Inductor	DTH1213
	Q	5067,5071,5072 Bipolar TR	LSAR523UB	L	402,403,404	Inductor	CTF1793
	Q	5073,5075,5079 Bipolar TR	LSAR523UB	L	3001	Chip Solid Inductor	XTL3010
	Q	5080,5084,5087 Bipolar TR	LSAR523UB	L	4001	Chip Solid Inductor	XTL3010
	Q	5081 Resistor Built-IN TR	RN1903S1	X	401	Resonator	GSS1760
	Q	5083,5108,5109 Bipolar TR	LSCR523UB	⚠ P	101	Protector(1.250A)	DEK1098
	Q	5088,5091,5092 Bipolar TR	LSAR523UB	S	2001,2003	Tactile Switch	DSG1143
	Q	5095,5096,5099 Bipolar TR	LSAR523UB	S	2002,2008,2014	Push Switch	CSG1155
	Q	5100,5103,5104 Bipolar TR	LSAR523UB	S	2004,2005	Tactile Switch	DSG1143
F	Q	5107,5117,5120 Bipolar TR	LSAR523UB	S	2006,2007	Tactile Switch	DSG1143
	Q	5110,5111,5112 Bipolar TR	LSCR523UB	S	2009,2010	Tactile Switch	DSG1143
	Q	5113,5114,5115 Bipolar TR	LSCR523UB	S	2011,2012	Tactile Switch	DSG1143
	Q	5116,5131,5132 Bipolar TR	LSCR523UB	S	2013,2016	Tactile Switch	DSG1143
	Q	5121,5124,5125 Bipolar TR	LSAR523UB	S	2015,2017,2026	Push Switch	CSG1155
	Q	5128 Bipolar TR	LSAR523UB	S	2018,2019	Tactile Switch	DSG1143
	Q	5129 Resistor Built-IN TR	RN1903S1	S	2020,2021	Tactile Switch	DSG1143
	Q	5130 Transistor	2SAR502UB	S	2022,2023	Tactile Switch	DSG1143
	Q	5133,5134 Bipolar TR	LSCR523UB	S	2024	Encoder	DSX1082

Mark	No.	Description	Part No.	Mark	No.	Description	Part No.
S	2025,2027	Tactile Switch	DSG1143	R	514,526,528,529		RS1/16SS472J
				R	516		RS1/10SR0R0J
S	2028,2029	Tactile Switch	DSG1143				
S	2030,2031	Tactile Switch	DSG1143	R	519,530,538,539,540,541		RS1/8SQ0R0J
S	2032,2034	Tactile Switch	DSG1143	R	531		RS1/16SS105J
S	2033,2038,2039	Push Switch	CSG1155	R	532,533,1155,1164,1174		RS1/16SS0R0J
S	2035,2036	Tactile Switch	DSG1143	R	534		RS1/16SS681J
				R	542,544,545		RS1/8SQ0R0J
S	2037,2040	Tactile Switch	DSG1143				
S	2041	Push Switch	CSG1155	R	543,548,549,1170		RS1/16SS103J
S	2042,2043	Tactile Switch	DSG1143	R	1001,1002		RS1/4SA0R0J
S	2044,2045	Tactile Switch	DSG1143	R	1148,1150,1167,1175,1190		RS1/10SR121J
S	2046	Tactile Switch	DSG1143	R	1149,1151,1176,1201		RS1/10SR821J
				R	1152,1162,1165,1177,1188		RS1/10SR330J
CN	101,102	FFC/FPC Connector	CKS6635				
CN	3001,4001	Connector	VKN2038	R	1156,1181,1186,1210		RS1/10SR151J
JA	101	Connector	DKN1607	R	1168,1196,1222,1223		RS1/10SR471J
				R	1169,1197,1224,1227,1230		RS1/16SS152J
				R	1171,1199,1226,1229,1235		RS1/16SS563J
				R	1180,1187,1195,1209,1212		RS1/16SS0R0J
				R	1198,1225,1228,1234,1237		RS1/16SS103J
				R	1200,1215,1221,1242,1248		RS1/10SR121J
				R	1202,1206,1213		RS1/10SR330J
				R	1236,1239		RS1/16SS152J
				R	1238,1241		RS1/16SS563J
				R	1240		RS1/16SS103J
				R	1243,1249,1267,1287		RS1/10SR821J
				R	1250,1256,1260,1268,1280		RS1/10SR220J
				R	1253,1259,1265,1271,1279		RS1/16SS0R0J
				R	1254,1272,1278,1296,1315		RS1/10SR101J
				R	1262,1266,1282,1286,1303		RS1/10SR121J
				R	1263,1285,1305,1306,1323		RS1/10SR471J
				R	1284,1295,1298,1314,1319		RS1/16SS0R0J
				R	1290,1292,1299,1311,1317		RS1/10SR220J
				R	1304,1307,1309,1322,1326		RS1/10SR121J
				R	1308,1310,1327,1343		RS1/10SR821J
				R	1320,1328,1336,1344,1346		RS1/10SR220J
				R	1325,1331,1335,1340,1349		RS1/16SS0R0J
				R	1332,1334,1350,1370		RS1/10SR101J
				R	1338,1342,1355,1356,1360		RS1/10SR121J
				R	1341,1358,1359,1378,1396		RS1/10SR471J
				R	1352,1367,1374,1380,1386		RS1/16SS0R0J
				R	1353,1364,1372,1375,1383		RS1/10SR220J
				R	1361,1363,1382,1398,1415		RS1/10SR821J
				R	1362,1377,1381,1393,1397		RS1/10SR121J
				R	1387,1389,1405,1422		RS1/10SR101J
				R	1390,1395,1404,1407,1421		RS1/16SS0R0J
				R	1391,1399,1401,1408,1418		RS1/10SR220J
				R	1410,1411,1414,1416,1429		RS1/10SR121J
				R	1412,1413,1430,1451		RS1/10SR471J
				R	1417,1434,1453		RS1/10SR821J
				R	1424,1427,1436,1444,1454		RS1/10SR220J
				R	1426,1432,1439,1443,1450		RS1/16SS0R0J
				R	1433,1448,1452,1465,1466		RS1/10SR121J
				R	1440,1442,1460		RS1/10SR101J
				R	1456,1463		RS1/10SR220J
				R	1459,1462,1476,1481,1487		RS1/16SS0R0J
				R	1467,1468,1485,1504		RS1/10SR471J
				R	1469,1471,1484,1488,1500		RS1/10SR121J
				R	1470,1472,1489,1506		RS1/10SR821J
				R	1473,1479,1482,1490,1498		RS1/10SR330J
				R	1477,1494,1496,1513		RS1/10SR151J

RESISTORS

R	101,102,103,104,105,106	RS1/10SR0R0J
R	107,108,109,110,111,112	RS1/10SR0R0J
R	202,229	RS1/10SR153J
R	203,405	RS1/16SS103J
R	205,233,406	RS1/16SS104J
R	207,209	RS1/16SS220J
R	208,213	RS1/10SR103J
R	210	RS1/16SS3901D
R	211	RS1/16SS1500F
R	212,217	RS1/16SS1002D
R	216	RS1/16SS91R0F
R	218	RS1/16SS2702D
R	235,237	RS1/16SS223J
R	236	RS1/16SS473J
R	238	RS1/16SS102J
R	239	RS1/16SS394J
R	401,403,404	RS1/10SR0R0J
R	407,413,414,415,416,417	RS1/16SS560J
R	411,412	RS1/8SQ0R0J
R	418,419,421,423,425,427	RS1/16SS560J
R	428,429,430,432,434,436	RS1/16SS560J
R	431,433,435,441,445,461	RS1/16SS221J
R	437,438,439,440,443,444	RS1/16SS560J
R	442,471,473,475,476	RS1/16SS820J
R	446,447,451,452,458,459	RS1/16SS560J
R	448,449	RS1/16SS104J
R	453,457,460	RS1/16SS330J
R	455,456,470	RS1/16SS103J
R	462,464,474,477,485,489	RS1/16SS560J
R	463,465,466,468,472,479	RS1/16SS221J
R	467	RS1/16SS470J
R	478	RS1/10SR0R0J
R	480,481,482,483,486,487	RS1/16SS221J
R	488,490,492,494	RS1/16SS221J
R	491,495,497,499,500,501	RS1/16SS560J
R	493,496,498,507,509	RS1/16SS820J
R	502,503,522,523,524,525	RS1/16SS560J
R	504,510,512,517,527	RS1/16SS103J
R	505,518,520,521	RS1/16SS101J
R	506	RS1/16SS470J
R	508	RAB4CQ472J
R	511,515,535	RS1/16SS102J
R	513	RS1/16SS5601F

Mark	No.	Description	Part No.
	R	1493,1497,1502,1512,1517	RS1/16SS0R0J
	R	1505,1520,1521,1524,1526	RS1/10SR121J
A	R	1507,1509,1518	RS1/10SR330J
	R	1522,1523,1540,1563	RS1/10SR471J
	R	1525,1527,1544,1565	RS1/10SR821J
	R	1528,1534,1537,1545,1558	RS1/10SR220J
	R	1531,1536,1542,1552,1557	RS1/16SS0R0J
	R	1532,1553,1556,1574,1600	RS1/10SR101J
	R	1539,1543,1560,1564,1582	RS1/10SR121J
	R	1562,1573,1576,1599,1604	RS1/16SS0R0J
	R	1568,1570,1577,1590,1602	RS1/10SR220J
	R	1583,1586,1588,1612,1616	RS1/10SR121J
	R	1584,1585,1613,1632	RS1/10SR471J
B	R	1587,1589,1617,1637,1655	RS1/10SR821J
	R	1605,1618,1627,1638,1640	RS1/10SR220J
	R	1615,1621,1626,1631,1643	RS1/16SS0R0J
	R	1623,1625,1644,1667	RS1/10SR101J
	R	1629,1636,1649,1650,1654	RS1/10SR121J
	R	1646,1661,1671,1677,1683	RS1/16SS0R0J
	R	1647,1658,1669,1672,1680	RS1/10SR220J
	R	1652,1653,1675,1693,1709	RS1/10SR471J
	R	1656,1674,1678,1690,1694	RS1/10SR121J
	R	1657,1679,1695,1712,1714	RS1/10SR821J
C	R	1684,1686,1702,1719	RS1/10SR101J
	R	1687,1692,1701,1704,1718	RS1/16SS0R0J
	R	1688,1696,1698,1705,1715	RS1/10SR220J
	R	1707,1708,1711,1713,1726	RS1/10SR121J
	R	1710,1727,1745	RS1/10SR471J
	R	1721,1724,1732,1740,1784	RS1/10SR220J
	R	1723,1729,1735,1739,1744	RS1/16SS0R0J
	R	1730,1742,1777,1900,1901	RS1/10SR121J
	R	1731,1778	RS1/10SR821J
	R	1736,1738,1895,2010,2014	RS1/10SR101J
	R	1806,1898	RS1/10SR220J
D	R	1894,1897	RS1/16SS0R0J
	R	1902,1903	RS1/10SR471J
	R	1909	RS1/16SS152J
	R	1910	RS1/16SS103J
	R	1911	RS1/16SS563J
	R	2002,2021	RS1/10SR0R0J
	R	2003,2004,2005,2006,2007	RS1/16SS223J
	R	2011,2012,2013,2027,2028	RS1/10SR223J
	R	2015,2016,2017,2018,2019	RS1/16SS223J
	R	2022,2023,2024,2025,2026	RS1/16SS223J
E	R	2029	RS1/10SR223J
	R	2030,2031,2032,2033,2034	RS1/16SS223J
	R	2035,2036,2037,2038,2039	RS1/16SS223J
	R	2040,2041,2042,2043,2044	RS1/16SS223J
	R	2045,2046	RS1/16SS223J
	R	2047,2048,2049,2050,2051	RS1/10SR0R0J
	R	2052	RS1/10SR0R0J
	R	3001,3007,4001,4008	RS1/16SS221J
	R	3004,4004	RS1/16SS560J
	R	3012,4007	RS1/16SS0R0J
	R	5001,5007,5024,5031,5033	RS1/10SR121J
F	R	5002,5008,5025,5034,5062	RS1/10SR681J
	R	5021,5037,5050,5056,5081	RS1/10SR220J
	R	5052,5125,5153	RS1/16SS331J
	R	5058,5126,5159	RS1/16SS223J

Mark	No.	Description	Part No.
	R	5059,5127,5160	RS1/16SS563J
	R	5061,5067,5089,5095,5117	RS1/10SR121J
	R	5068,5090,5096,5118,5124	RS1/10SR681J
	R	5086,5109,5114,5140,5145	RS1/10SR220J
	R	5123,5148,5173	RS1/10SR121J
	R	5149,5174	RS1/10SR681J
	R	5150,5157,5163,5169,5176	RS1/10SR820J
	R	5158,5164,5170,5177,5200	RS1/10SR101J
	R	5168,5202	RS1/10SR390J
	R	5171,5205	RS1/16SS0R0J
	R	5179,5182,5185,5188,5203	RS1/16SS331J
	R	5180,5183,5186,5189,5207	RS1/16SS223J
	R	5181,5184,5187,5190,5208	RS1/16SS563J
	R	5193,5199,5204,5212,5219	RS1/10SR820J
	R	5206,5213,5221	RS1/10SR101J
	R	5210,5222,5228,5247,5251	RS1/10SR121J
	R	5211,5223,5229,5252,5258	RS1/10SR681J
	R	5242,5248,5271,5276,5297	RS1/10SR220J
	R	5257,5282,5283,5286,5300	RS1/10SR121J
	R	5279	RS1/16SS331J
	R	5280,5285,5371,5373,5375	RS1/16SS223J
	R	5281	RS1/16SS563J
	R	5284,5370,5372,5374,5376	RS1/16SS332J
	R	5287,5301,5315,5329,5343	RS1/10SR681J
	R	5311,5325,5339,5353,5367	RS1/10SR220J
	R	5314,5328,5342,5356,5394	RS1/10SR121J
	R	5357,5395,5409,5423	RS1/10SR681J
	R	5377,5379,5381,5383,5385	RS1/16SS223J
	R	5378,5380,5443,5445	RS1/16SS122J
	R	5382,5384,5386,5439,5441	RS1/16SS332J
	R	5387,5437,5440,5442,5444	RS1/16SS223J
	R	5391,5405,5419,5433	RS1/10SR390J
	R	5392,5406,5420,5434	RS1/16SS0R0J
	R	5408,5422	RS1/10SR121J
	R	5436	RS1/16SS331J
	R	5438	RS1/16SS563J
	R	5446	RS1/16SS223J
	R	5447,5448	RS1/4SA0R0J
	R	5452,5453,5454,5455,5459	RS1/10SR750J
	R	5457,5467,5481,5493	RS1/10SR101J
	R	5460,5464,5465,5482,5494	RS1/10SR750J
	R	5469,5471,5473,5477,5485	RS1/10SR820J
	R	5489	RS1/10SR820J

CAPACITORS

C	102	CKSSYB103K16
C	104	CCG1192
C	109,232	CKSRYB105K10
C	148,409,410,411,412,413	CCSSCH101J50
C	201,207,219,227	CEVW470M25
C	202,206,213,214	CKSRYB223K16
C	203,220,224,225,230	DCH1201
C	205,210	CKSSYB104K16
C	209	DCH1266
C	211,223	CKSSYB103K25
C	215,221	CCG1236
C	216,408	CKSSYB104K10
C	414,415,421,423,425,427	CCSSCH101J50
C	417,418,419,420,448,452	CKSSYB103K16
C	428,429,430,431,432,433	CCSSCH101J50

Mark	No.	Description	Part No.
C	434,435,436,437,438,439		CCSSCH101J50
C	440,441,442,443,444,445		CCSSCH101J50
C	446,447,449,454,455,457		CCSSCH101J50
C	451,464		CKSSYB104K10
C	453,456,459,465,473,477		CKSSYB103K16
C	458,460,461,462,463,466		CCSSCH101J50
C	467,468,469,470,472,474		CCSSCH101J50
C	475,476,478,479,481,482		CCSSCH101J50
C	480,484,494,498,501,505		CKSSYB103K16
C	483,485,486,487,488,489		CCSSCH101J50
C	490,491,492,493,495,496		CCSSCH101J50
C	497,499,500,502,503,504		CCSSCH101J50
C	506,507,508,509,511,520		CCSSCH101J50
C	510,514,516,517		CKSSYB103K16
C	512,513		CKSSYB471K50
C	519,524,528,529,537,538		CKSSYB102K50
C	521,522,523		CCSSCH101J50
C	525,526,532,533,534,540		CKSSYB104K10
C	527,530,535,536,543,544		CCG1192
C	539,548		CKSSYB102K50
C	541,542,547		CKSSYB104K10
C	545,3004,4004		CCG1192
C	546		CKSSYB222K50
C	549		CCSSCH120J50
C	552		CCSSCH100D50
C	1001,1003		CEHVW101M6R3
C	1002,1004,5001,5002		CEVW470M6R3
C	2001,2002		CKSSYB103K25
C	3002,4002		CKSSYB103K16
C	3003,4003		CKSSYB104K16
C	3005,3009,4005,4009		CCSSCH101J50

A

B

C

D

E

F